

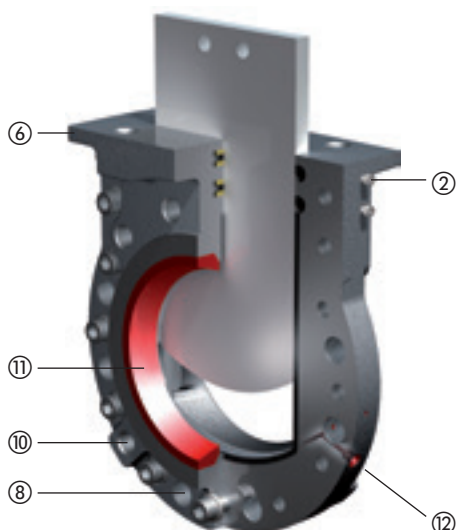
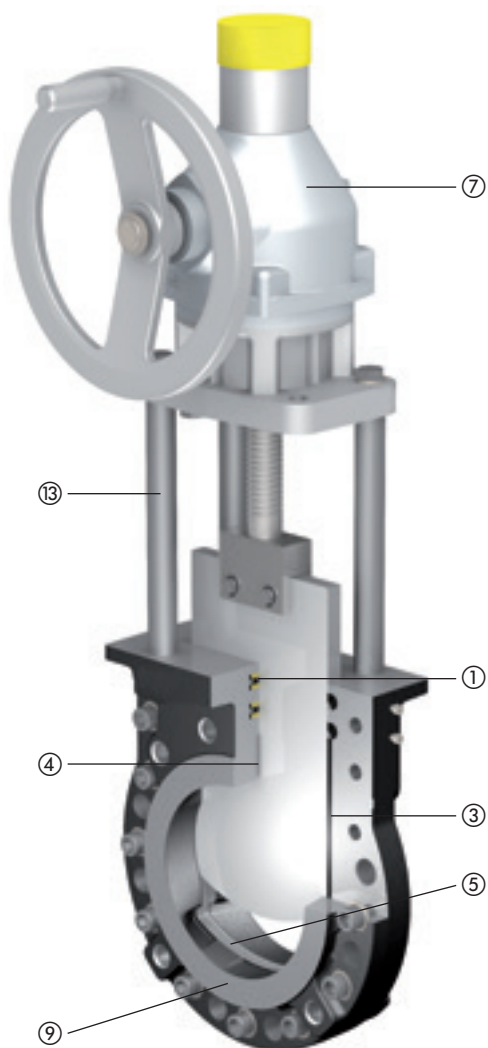
## Wey Knife Gate Valve MH

2.6.00



PN 25

## The Knife Gate Valve for pressure rating PN 25



### Compare these unique features

Bi-directional, bubble-tight shut-off at full pressure

Gate guided for full length of stroke, with 60° arc geometry which prevents jamming, refer to illustration D

Gate guided for full length of stroke for ensure flutter- and noise-free function and also regulating operation

Double heavy duty transverse seal ① with dual scraper blades for tight shut-off to atmosphere, refer illustration C

Screws ② for easy repacking during operation, refer to illustration A

Flush fitted and mechanically retained resilient seal ③, refer to illustration B

Reduced chest cavity ④ to reduce debris collection

Self flushing contoured full body bore ⑤

Heavy duty ductile iron/stainless steel body ⑥ for low temperature service

Manual bevel gear, hydraulic, pneumatic or electric actuator ⑦

Flange drilling ⑧ acc. to PN 25 EN 1092 / ISO 7005

Face-to-face raised face dimension ⑨ EN 558 / ISO 5752 Series 16 (DIN3202 K3)

Test acc. to EN 12266-1 leakage rate A

Valve dimensions acc. Wey documentations No. 2.6.10 / 30 / 40 / 50

Threaded lugs ⑩ permit easy installation and are suitable for dead-end-service at full pressure

Optional:  
Wear ring ⑪ 0.9635 (Ni-Hard)

Gate in 1.4404 with Cr-plating, 1.4034 hardened 51Rc or 1.4301

3E coating for gate and body to avoid medium build up

Gas-tight bonnet

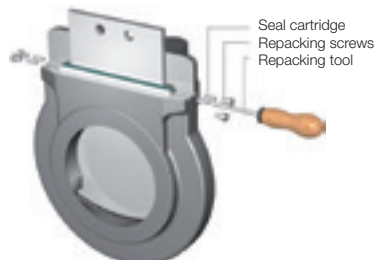
Flush port ⑫ connections

4-post heavy duty solid steel topwork ⑬

Safety guard in stainless steel according to machinery directive No 2006/42/EC

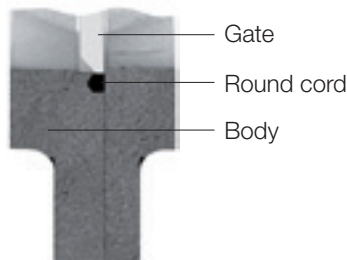
## Design Details

### Ⓐ Repacking valve



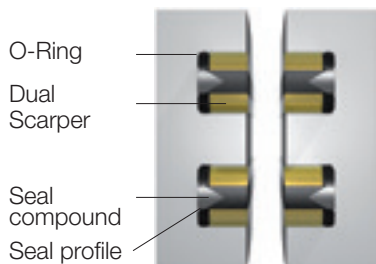
Section of transverse seal illustrating how sealing compound is insert into chamber to repack valve while valve is in service under full pressure

### Ⓑ Mechanically retained seal



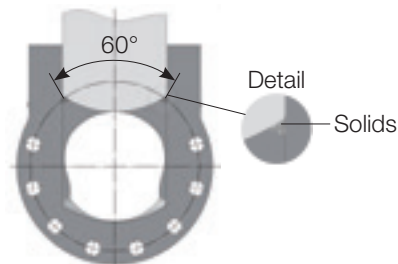
Mechanically retained resilient seal insures bubble-tight shut-off with pressure on either side of gate. Seal will not pull out of specially machined groove

### Ⓒ Double heavy duty transverse seal Type 5



Various elastomeric seal material available. Seal includes compression loaded scraper blades to wipe gate clean and protect seal

### Ⓓ Gate 60° Arc



Gate 60° arc design assures that solid are pushed ahead of gate and are flushed out as velocity increases and gate tip moves into open relief areas in body flush corner

## Construction details

Size*	Material * Body / Gate	Flange	Operating Pressure PN	Test Pressure** (bar) Shell / Seat
100 – 400	EN-GJS-400-15 / 1.4301	PN 25 EN 1092	25 bar	37.5 / 27.5
100 – 400	1.4408 / 1.4404	PN 25 EN 1092	25 bar	37.5 / 27.5

\*other material an sizes on request

\*\*Acc. to EN 12266-1 P10-P12

### Temperature

–40° C to 400° C with adequate material- and construction adaption.

### Corrosion protection

All steel parts are coated with type SL 29125, 2-compounde primer coat 100 µm and 2-comp. polyurethane top coat 80 µm, RAL 7030.

### PED (Pressure Equipment Directive No 97/23/EC)

All equipment with pressure of < 0.5bar is subject to PED. Furthermore, the directive is distinguished between gas and liquid and dangerous fluids. The standard type MH design corresponds up to the category III.

### ATEX (Atmosphere Explosible Directive 94/9/EC)

The directive describes the basic safety requirements for electrical and non-electrical mechanical equipment and protection systems, which are installed in a hazardous area. Option: The type MG can be supplied according to category 1GD IIB (inside) and category 2GD IIB (outside); refer to factory



Production of cylinder parts  
on dual spindle turning center

## Further products



Wey Sluice Gates



Wey Check Valves  
(dirty water)



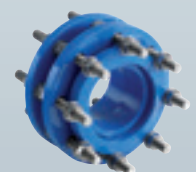
Wey Off-center  
Butterfly Valves



Wey Check Valves  
(clean water)



Centric Butterfly  
Valves



Wey Dismantling  
pieces

Your contact