

Wey Knife Gate Valve MHH

2.6.50

DN 100–400
Standard construction

Actuation by double acting oil hydraulic cylinder

Oil supply pressure 120 bar

Material acc. to data sheet 2.0.13

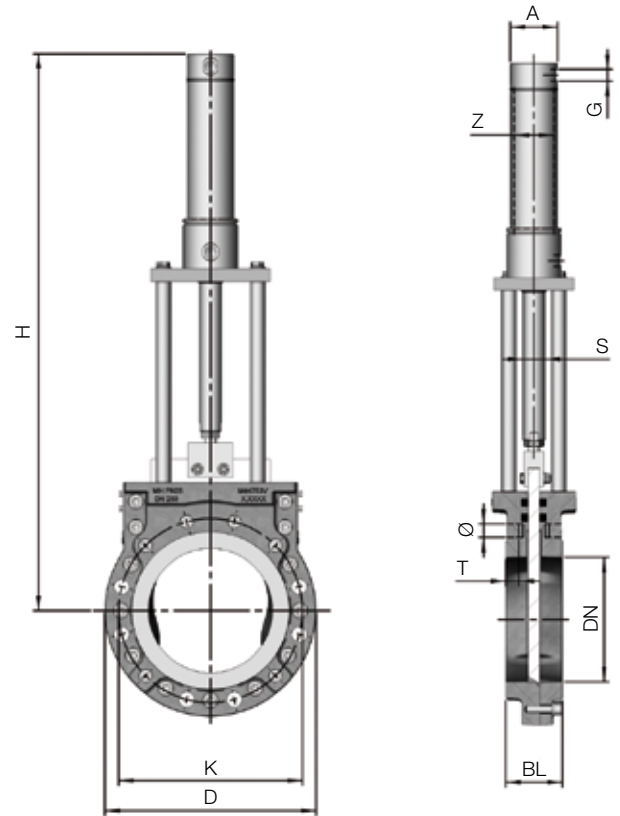
Corrosion protection acc. to data sheet 2.0.12

Flange drilling: PN 25 EN 1092 / ISO 7005 (DIN 2501)

Face to Face: EN 558 / ISO 5752 Series 16 (DIN 3202 K3)

Nominal pressure PN: 25 bar

Test pressure acc. to EN 12266 Leakage rate A



DN	D	K	BL	Ø	T	Qty bolts	Qty tapped holes	Qty through bore	Actuator*				G ISO 228	Weight [kg]
									Z	S	H	A		
100	235	190	64	M20	15	8	4	4	40	22	581	50	G 3/8"	30
									50	28	603	60	G 3/8"	32
									63	36	640	75	G 1/2"	35
125	270	220	70	M24	17	8	4	4	40	22	668	50	G 3/8"	39
									50	28	690	60	G 3/8"	40
									63	36	707	75	G 1/2"	42
150	300	250	76	M24	17	8	4	4	50	28	736	60	G 3/8"	46
									63	36	753	75	G 1/2"	49
									80	45	840	95	G 3/4"	59
200	360	310	89	M24	21	12	6	6	50	28	935	60	G 3/8"	72
									63	36	952	75	G 1/2"	75
									80	45	989	95	G 3/4"	86
250	425	370	114	M27	27	12	6	6	63	36	1082	75	G 1/2"	110
									80	45	1119	95	G 3/4"	121
									100	56	1127	115	G 3/4"	135
300	485	430	114	M27	27	16	6	10	63	36	1252	75	G 1/2"	149
									80	45	1289	95	G 3/4"	161
									100	56	1297	115	G 3/4"	175
350	555	490	127	M30	31	16	6	10	80	45	1423	95	G 3/4"	213
									100	56	1431	115	G 3/4"	225
									125	70	1517	140	G 3/4"	231
400	620	550	140	M33	35	16	6	10	80	45	1596	95	G 3/4"	304
									100	56	1604	115	G 3/4"	317
									125	70	1637	140	G 3/4"	345
									140	80	1667	170	G 1"	381

* Actuator size will be selected according to operating conditions