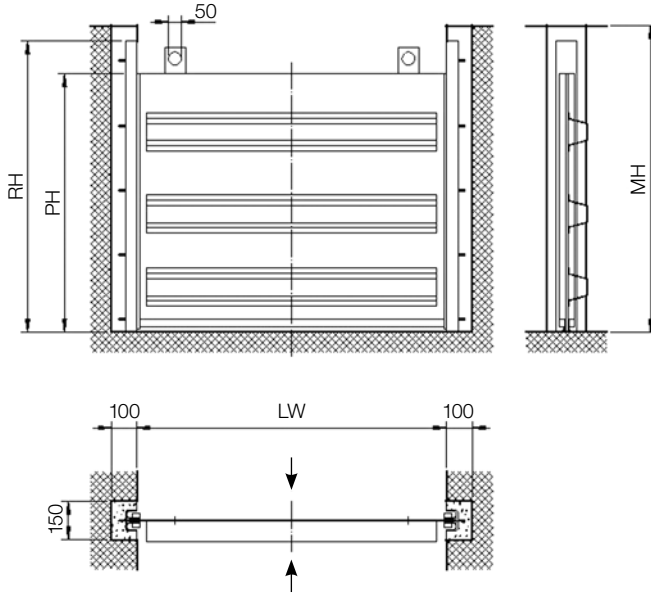


## Wey Stop Gate 6.7

**3.9.12**



LW	Width	_____ mm
PH	Gate height	_____ mm
RH	Frame height	_____ mm
MH	Wall height	_____ mm
▼	Max. water pressure, uni-directional / bi-directional	_____ mm

### Standard construction

Gate plate	1.4404 (317L) or similar
Gate glider	PE-UVMW
Frame	1.4404 (316L) or similar
Sealing	3-side NBR

Special designs on request

## Cut-Out

