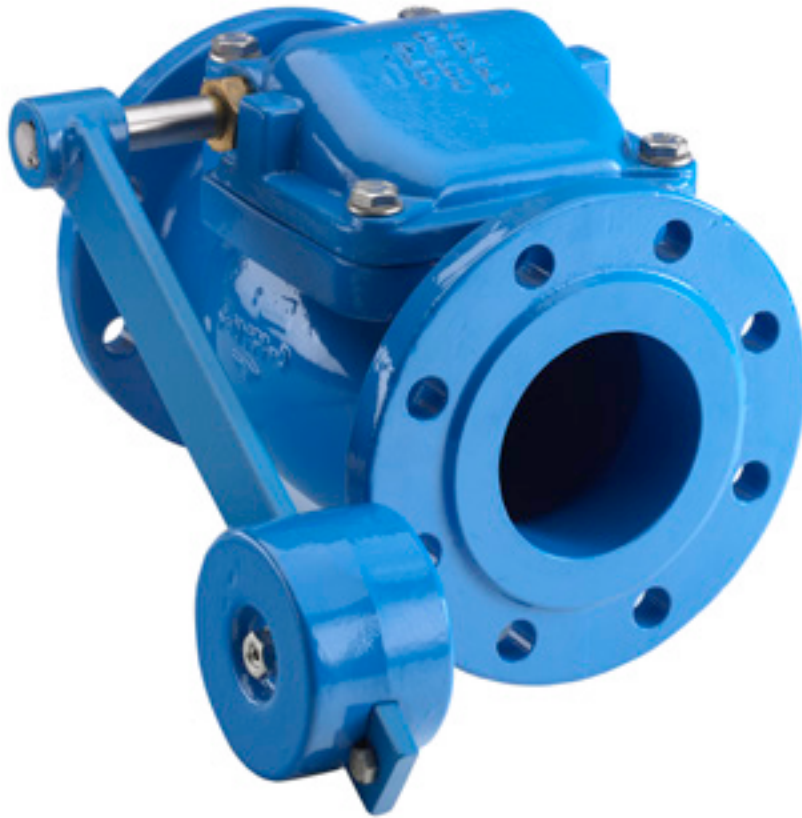


Wey Check Valve RSK 192

6.1.10



Standard Construction

Standard body DN 65–200: Cast iron EN-GJL-250
 Standard body DN 250–300: Ductile iron EN-GJS-400-15
 Option body DN 80–150: stainless steel 1.4581

Disc: Steel with Nitril lining

Corrosion protection: Body in/outside with EKB Epoxy powder coating

Shaft: 1.4104 Alloy Steel with O-Ring seal

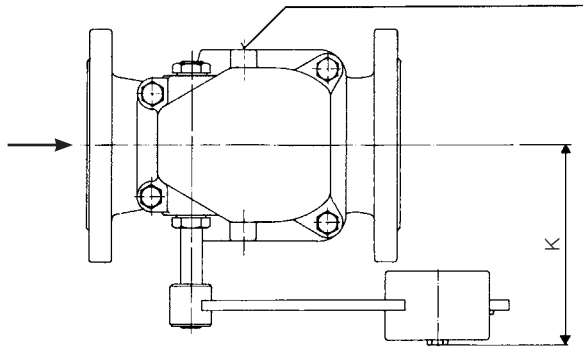
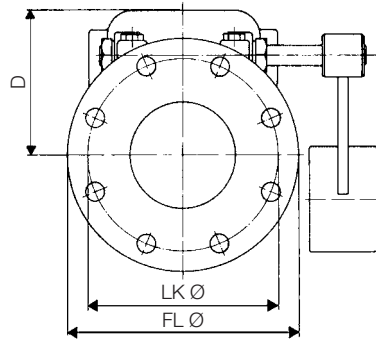
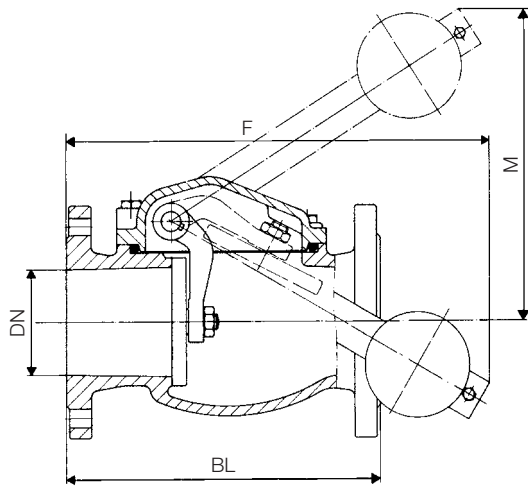
Counterweight: Cast Iron EN-GJL-250

Nominal pressure: 10 bar

Flange drilling PN 10/16 EN 1092 / ISO 7005

Face-to-face EN 558 / ISO 5752 part 48

Test acc. EN 12266-1, rate A



Option:
Bracket for pump control

Standard construction:
Lever mounting in flow direction RIGHT!

Fig.192 H
With extended shaft and lever

Fig.192 G
With extended shaft and counterweight

DN	FL Ø	LK Ø	BL	D	F	K	M	Qty screws	Weight	
									192 H	192 G
65	185	145	240	114	385	165	253	8 x M16	22	24
80	200	160	260	127	390	175	290	8 x M16	28	31
100	220	180	300	137	405	185	298	8 x M16	35	37
125	250	210	350	163	450	205	347	8 x M16	49	51
150	285	240	400	177	460	220	372	8 x M20	64	66
200	340	295	500	228	490	257	417	8 x M20	92	97
250	395	350	600	275	503	282	458	12 x M20	120	125
300	445	400	700	305	537	308	482	12 x M20	180	185