

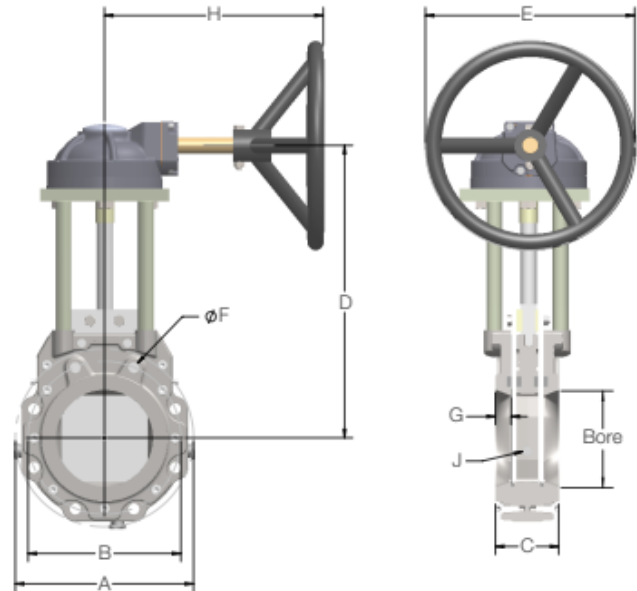
# WEY KNIFE GATE VALVE DB BEVEL GEAR OPERATED

Data sheet



## Size 6"-30" Standard Configuration

- Design: Full Lug
- Materials: Solid Cast 316 Stainless Steel Body  
316 Hard Chrome Coated Gate
- Solid Steel Heavy Duty 4-Posts Topworks
- Flange Drilling: ANSI 150
- Pressure Rating: Size 6"-12" 150 psi Shut-off  
Size 14"-30" 90 psi Shut-off
- Suitable for Dead-end Service
- Note:  
Bevel Gears (3:1) are recommended for 6"-10" valves  
Bevel Gears (4:1) are recommended for 12"-20" valves  
Bevel Gears (6:1) are recommended for 24" and larger valves  
Consult factory for special applications



Bore	A	B	C	D	E	F	G	H	J	Bolts	⊕	Op. Pressure	Weight
6"	11.00	9.50	3.93	18.15	12"	3/4" - 10	0.94	11.50	1/2"	8 pcs.	2	150 psi	121 lbs
8"	13.50	11.75	4.45	21.29	12"	3/4" - 10	1.12	11.50	1/2"	8 pcs.	2	150 psi	154 lbs
10"	16.00	14.25	4.72	24.84	16"	7/8" - 9	0.75	11.50	1/2"	12 pcs.	4	150 psi	224 lbs
12"	19.00	17.00	5.03	28.93	16"	7/8" - 9	0.83	14.75	1/2"	12 pcs.	4	150 psi	305 lbs
14"	21.00	18.50	5.31	33.42	18"	1" - 8	0.78	14.75	1/2"	12 pcs.	4	90 psi	394 lbs
16"	23.50	21.25	5.82	35.74	18"	1" - 8	0.94	14.75	1/2"	12 pcs.	4	90 psi	482 lbs
18"	25.00	22.75	6.18	40.75	18"	1 - 1/8" - 7	0.98	14.75	1/2"	16 pcs.	6	90 psi	640 lbs
20"	27.50	25.00	7.24	44.66	24"	1 - 1/8" - 7	1.37	16.75	1/2"	20 pcs.	6	90 psi	811 lbs
24"	32.00	29.50	7.55	53.75	24"	1 - 1/4" - 7	1.22	23.50	1/2"	20 pcs.	6	90 psi	1246 lbs
30"	38.75	36.00	8.79	63.77	24"	1 - 1/4" - 7	0.98	23.50	1/2"	28 pcs.	10	90 psi	1950 lbs

J = Purge Port Size (NPT)

⊕ = Number of Blind Tapped Holes in Chest