

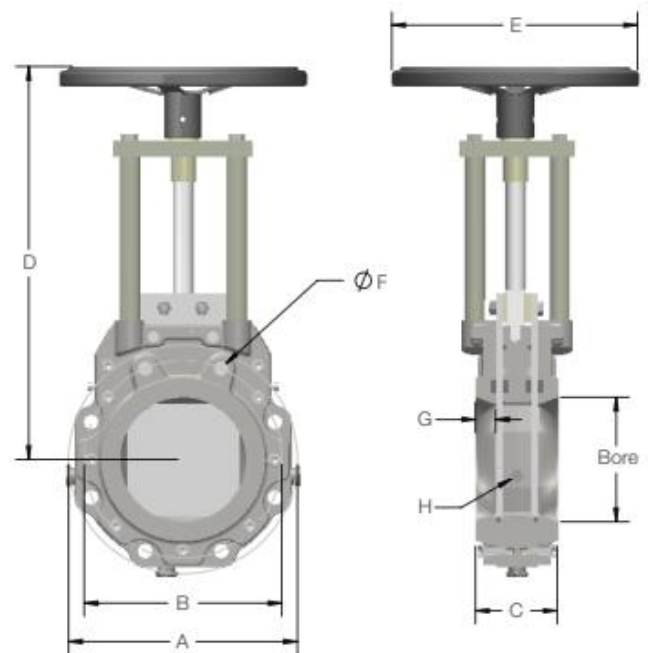
# WEY KNIFE GATE VALVE DB HANDWHEEL OPERATED

Data sheet



## Size 3"-12" Standard Configuration

- Design: Full Lug
- Materials: Solid Cast 316 Stainless Steel Body  
316 Hard Chrome Coated Gate
- Solid Steel Heavy Duty 4-Posts Topworks
- Flange Drilling: ANSI 150
- Pressure Rating: Size 3"-12" 150 psi Shut-off
- Suitable for Dead-end Service



Bore	A	B	C	D	E	F	G	Bolts	⊕	Op. Pressure	Weight
3"	7.50	6.00	3.23	12.44	7.87	5/8" - 11	-	4 pcs.	-	150 psi	33 lbs
4"	9.00	7.50	3.42	15.47	11.81	5/8" - 11	0.86	8 pcs.	-	150 psi	55 lbs
6"	11.00	9.50	3.93	19.57	15.75	3/4" - 10	0.94	8 pcs.	2	150 psi	95 lbs
8"	13.50	11.75	4.45	22.72	15.75	3/4" - 10	1.12	8 pcs.	2	150 psi	128 lbs
10"	16.00	14.25	4.72	26.65	15.75	7/8" - 9	0.75	12 pcs.	4	150 psi	198 lbs
12"	19.00	17.00	5.03	29.80	19.89	7/8" - 9	0.83	12 pcs.	4	150 psi	320 lbs

H = Purge Port Size (NPT)

⊕ = Number of Blind Tapped Holes in Chest