

WEY PLATTENSCHIEBER FBA-GK

WEY KNIFE GATE VALVE FBA-GK



Datenblatt / Data sheet

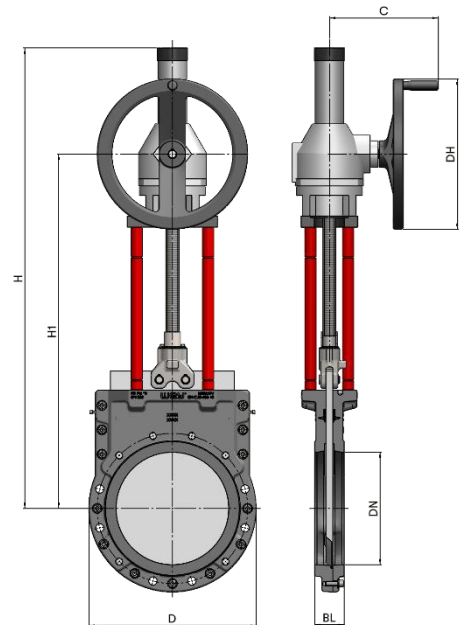
2.60.250201_d_e

DN 450 – 2000 (4 / 2.5 / 1.6 bar)

- Plattenschieber mit vollfreiem Durchgang / Knife Gate valve with full bore
- Spezialschaber reinigen die Schieberplatte bei jeder Öffnung (ab DN 200) / Special scrapers clean the gate every time it is opened (from DN 200)
- Betätigung mittels Handrad über Kegelradgetriebe GK, steigende Spindel / Operated by handwheel with bevel gear GK, rising stem
- Baulänge / Face-to-Face: EN 558 / ISO 5752-20
- Nenndruck / Nominal pressure:

DN 450 – 2000	4 bar
DN 500 – 2000	2.5 bar
DN 700 – 2000	1.6 bar
- Dichtheitsprüfung gem. EN 12266-1, Leckrate A / Leak test acc. to EN 12266-1, leak rate A

- Bei Anfrage, bitte zusätzliche Informationen zum Molch angeben / When inquiring, please provide additional information about the foam pig.



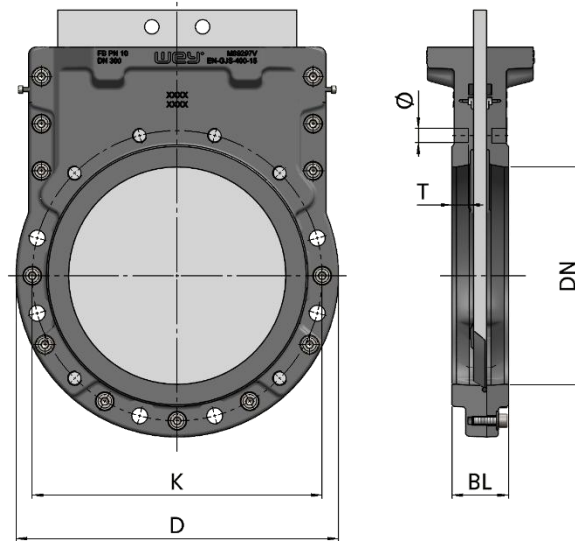
Generelle Abmessungen / General dimensions

DN	NPS	D	BL	GK	H	H1	DH	C	4 bar [kg]	2.5 bar [kg]	1.6 bar [kg]
450	18"	615	114	10.2-2	1678	1190	315	264	n/a	-	-
				14.2-2.8	1611	1228	400	290	n/a	-	-
500	20"	670	127	10.2-2	1760	1272	315	264	n/a	n/a	-
				14.2-2.8	1793	1310	400	290	n/a	-	-
600	24"	780	154	10.2-2	2084	1496	315	264	n/a	n/a	-
				14.2-2.8	2117	1534	500	311	n/a	n/a	-
700	28"	895	165	10.2-2	2452	1764	315	264	n/a	n/a	n/a
				14.2-2.8	2485	1802	500	311	n/a	n/a	n/a
				14.6-4	2485	1802	630	314	n/a	-	-
800	32"	1015	190	14.2-2.8	2823	2040	500	311	n/a	n/a	n/a
				14.6-4	2823	2040	630	314	n/a	n/a	-
				16.2-5.6	2852	2068	800	354	n/a	-	-
900	36"	1115	203	14.2-2.8	3120	2237	500	311	n/a	n/a	n/a
				14.6-4	3120	2237	800	320	n/a	n/a	-
				16.2-5.6	3149	2265	1000	317	n/a	-	-

Maximaler Arbeitsdruck ist abhängig von Mediumskategorie. **Fett** markierte Antriebe für max. Arbeitsdruck 4 bar, Medium 1. Massangaben in mm. Alle Angaben unverbindlich. Änderungen vorbehalten. / Maximal operating pressure depends on media. **Highlighted** Actuators for max. operating pressure 4 bar, media 1. All dimensions in mm. All information for reference only. Modifications reserved.

DN	NPS	D	BL	GK	H	H1	DH	C	4 bar [kg]	2.5 bar [kg]	1.6 bar [kg]
1000	40"	1230	216	14.2-2.8	3526	2543	500	311	n/a	n/a	n/a
				14.6-4	3526	2543	800	320	n/a	n/a	n/a
				16.2-5.6	3555	2571	1000	317	n/a	n/a	-
				25.2-8	3628	2636	1200	416	n/a	-	-
1200	48"	1455	254	14.6-4	4074	2891	800	320	n/a	n/a	n/a
				16.2-5.6	4103	2919	1000	317	n/a	n/a	n/a
				25.2-8	4176	2984	1200	416	n/a	-	-
1400	56"	1675	279	14.6-4	4731	3348	800	320	n/a	n/a	n/a
				16.2-5.6	4760	3376	1000	317	n/a	n/a	n/a
				25.2-8	4833	3441	1200	416	n/a	n/a	-
				30.2-11	4800	3526	1200	613	n/a	-	-
1600	64"	1915	318	16.2-5.6 AK ¹	5408	3823	1000	317	n/a	n/a	n/a
				25.2-8 AK ¹	5491	3889	1200	416	n/a	n/a	n/a
				30.2-11 AK¹	5454	3980	1200	613	n/a	n/a	-
1800	72"	2115	356	25.2-8 AK ¹	6159	4357	1200	416	n/a	n/a	n/a
				30.2-11 AK ¹	6122	4448	1200	613	n/a	n/a	n/a
				35.2-16 AK¹	6240	4559	1200	677	n/a	n/a	-
2000	80"	2325	406	25.2-8 AK ¹	6757	4755	1200	416	n/a	n/a	n/a
				30.2-11 AK ¹	6720	4846	1200	613	n/a	n/a	n/a
				35.2-16 AK¹	6838	4957	1200	677	n/a	n/a	n/a

¹ mit Pendellagerung / with pendulum bearings



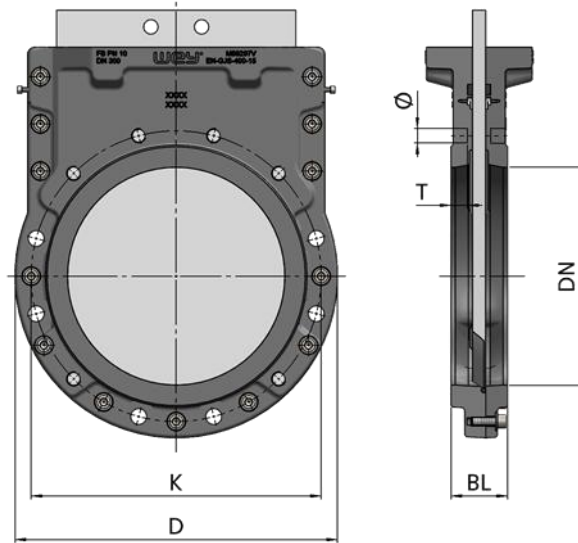
Flansch-Abmessungen / Flange dimensions

DN	NPS	D	BL	EN 1092 PN 10 *					EN 1092 PN 16 *					EN 1092 PN6					
				K	Ø	T	⊕	⊕	K	Ø	T	⊕	⊕	K	Ø	T	⊕	⊕	
450	18"	615	114	565	M24	30	12	8	-	-	-	-	-	-	-	-	-	-	-
500	20"	670	127	620	M24	30	12	8	-	-	-	-	-	-	-	-	-	-	-
600	24"	780	154	725	M27	38	12	8	-	-	-	-	-	-	-	-	-	-	-
700	28"	895	165	840	M27	39	14	10	840	M33	39	14	10	-	-	-	-	-	-
800	32"	1015	190	950	M30	42	14	10	950	M36	42	14	10	-	-	-	-	-	-
900	36"	1115	203	1050	M30	43	18	10	1050	M36	43	18	10	-	-	-	-	-	-
1000	40"	1230	216	1160	M33	47	18	10	1170	M39	47	18	10	-	-	-	-	-	-
1200	48"	1455	254	1380	M36	49	20	12	1390	M45	49	20	12	-	-	-	-	-	-
1400	56"	1675	279	1590	M39	55	22	14	1590	M45	55	22	14	-	-	-	-	-	-
1600	64"	1915	318	1820	M45	76	22	18	1820	M52	76	22	18	-	-	-	-	-	-
1800	72"	2115	356	2020	M45	76	28	16	2020	M52	76	28	16	-	-	-	-	-	-
2000	80"	2325	406	2230	M45	76	28	20	2230	M59	76	28	20	-	-	-	-	-	-

* Standard

⊕ Gewindesacklöcher / Tapped blind holes

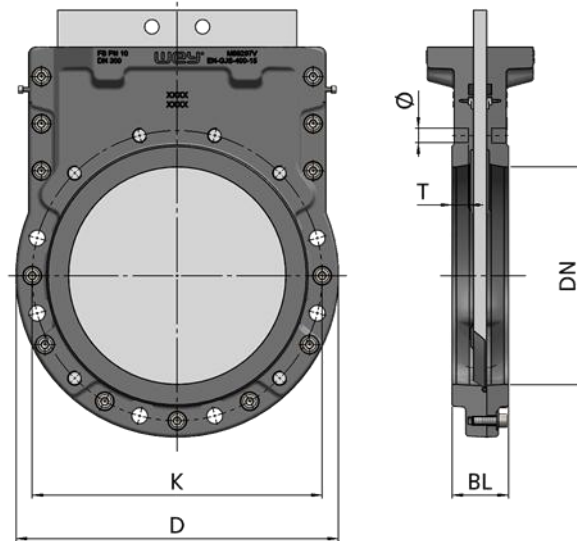
⊕ Durchgangsbohrungen / Through holes



Flansch-Abmessungen / Flange dimensions

DN	NPS	D	BL	ANSI B16.5-150 / ANSI B16.47-150 Series A					BS 10-D					AS 2129-D					
				K	Ø	T	⊕	⊕	K	Ø	T	⊕	⊕	K	Ø	T	⊕	⊕	
450	18"	615	114	-	-	-	-	-	-	-	-	-	-	-	-	-	-	-	-
500	20"	670	127	-	-	-	-	-	-	-	-	-	-	-	-	-	-	-	-
600	24"	780	154	-	-	-	-	-	-	-	-	-	-	-	-	-	-	-	-
700	28"	895	165	-	-	-	-	-	-	-	-	-	-	-	-	-	-	-	-
800	32"	1015	190	-	-	-	-	-	-	-	-	-	-	-	-	-	-	-	-
900	36"	1115	203	-	-	-	-	-	-	-	-	-	-	-	-	-	-	-	-
1000	40"	1230	216	-	-	-	-	-	-	-	-	-	-	-	-	-	-	-	-
1200	48"	1455	254	-	-	-	-	-	-	-	-	-	-	-	-	-	-	-	-
1400	56"	1675	279	-	-	-	-	-	-	-	-	-	-	1615	M33	55	22	14	-
1600	64"	1915	318	-	-	-	-	-	-	-	-	-	-	1825	M36	76	22	18	-
1800	72"	2115	356	-	-	-	-	-	2019.3	11/2"	76	28	16	2019	M39	76	28	16	-
2000	80"	2325	406	-	-	-	-	-	-	-	-	-	-	-	-	-	-	-	-

⊕ Gewindesacklöcher / Tapped blind holes
 ⊕ Durchgangsbohrungen / Through holes



Flansch-Abmessungen / Flange dimensions

JIS B 2220-10K

DN	NPS	D	BL	K	Ø	T	⊕	⊕
450	18"	615	114	565	M24	30	12	8
500	20"	670	127	620	M24	30	12	8
600	24"	780	154	-	-	-	-	-
700	28"	895	165	840	M30	39	14	10
800	32"	1015	190	-	-	-	-	-
900	36"	1115	203	1050	M30	43	18	10
1000	40"	1230	216	1160	M36	47	18	10
1200	48"	1455	254	1380	M36	49	20	12
1400	56"	1675	279	-	-	-	-	-
1600	64"	1915	318	-	-	-	-	-
1800	72"	2115	356	-	-	-	-	-
2000	80"	2325	406	-	-	-	-	-

⊕ Gewindesacklöcher / Tapped blind holes

⊕ Durchgangsbohrungen / Through holes