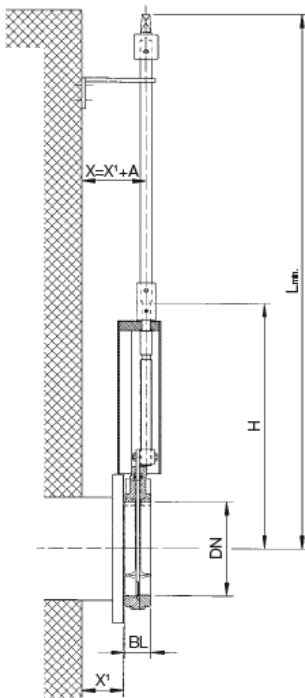


### Wey Knife Gate Valve VN non-rising stem

$X_{1min.}$  important for fitting the flange bolts



DN	BL	H	$X_{1min.}$	A	$L_{min.}$
50	43	300	65	37	489
65	46	312	65	38	501
80	46	330	75	38	519
100	52	383	70	44	572
123	56	424	80	46	613
150	56	484	80	49	658
200	60	554	90	51	738
250	68	654	95	58	838
300	78	736	95	64	920
350	78	849	95	68	1033
400	102	931	105	81	1155

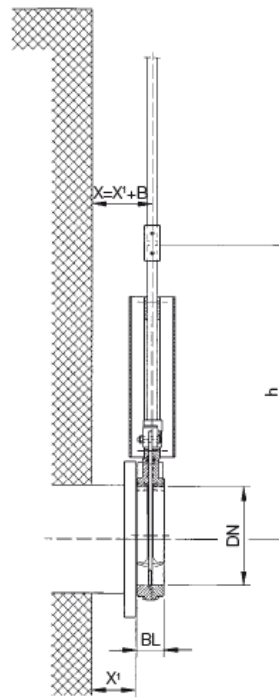
#### Stem extension

- Coupling sleeves
- Extension rod
- Stem guide
- Square nut or other actuating elements

All parts hot dip galvanized or in stainless steel

### Wey Knife Gate Valve VN rising stem/rod

$X_{1min.}$  important for fitting the flange bolts



DN	BL	h	$X_{1min.}$	B
50	43	382	65	27
65	46	409	65	28
80	46	427	75	28
100	52	480	70	31
123	56	521	80	33
150	56	566	80	34
200	60	646	90	36
250	68	736	95	40
300	78	813	95	46
350	78	926	95	46
400	102	1008	105	59

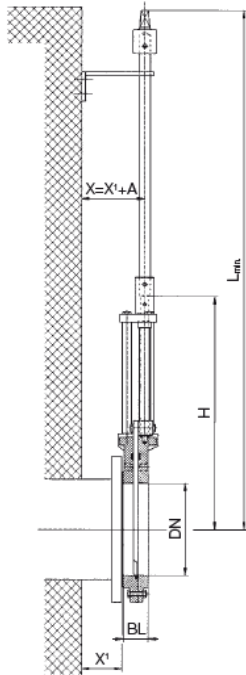
#### Important when ordering

- Valve type
- Valve size DN
- Dimension L
- Dimension X

Special designs on request

## Wey Knife Gate Valve MF non-rising stem

$X_{1min.}$  important for fitting the flange bolts



DN	BL	H	$X_{1min.}$	A	$L_{min.}$
50	43	247	65	36.5	436
65	46	266	65	38.0	455
80	46	311	75	38.0	500
100	52	357	70	44.0	546
123	56	391	80	46.0	580
150	56	449	80	49.0	633
200	60	534	90	51.0	718
250	68	634	95	60.0	818
300	78	729	95	65.0	913
350	78	820	95	69.0	1004
400	102	905	105	82.0	1099
450	114	1018	110	92.0	1201
500	127	1079	115	98.0	1262
600	154	1280	135	114	-

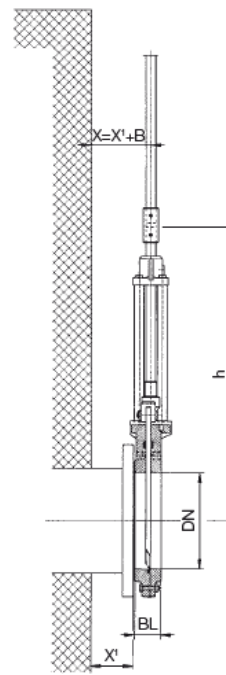
### Stem extension

- Coupling sleeves
- Extension rod
- Stem guide
- Square nut or other actuating elements

All parts hot dip galvanized or in stainless steel

## Wey Knife Gate Valve MF rising stem/rod

$X_{1min.}$  important for fitting the flange bolts



DN	BL	h	$X_{1min.}$	B
50	43	385	65	26.5
65	46	421	65	28.0
80	46	448	75	28.0
100	52	500	70	31.0
123	56	534	80	33.0
150	56	583	80	34.0
200	60	668	90	36.0
250	68	767	95	42.0
300	78	852	95	47.0
350	78	965	95	47.0
400	102	1048	105	60.0
450	114	1148	110	67.0
500	127	1210	115	73.0
600	154	1403	135	89.0

### Important when ordering

- Valve type
- Dimensions of S-19396i-4
- Valve size DN
- Dimension L
- Dimension X

Special designs on request