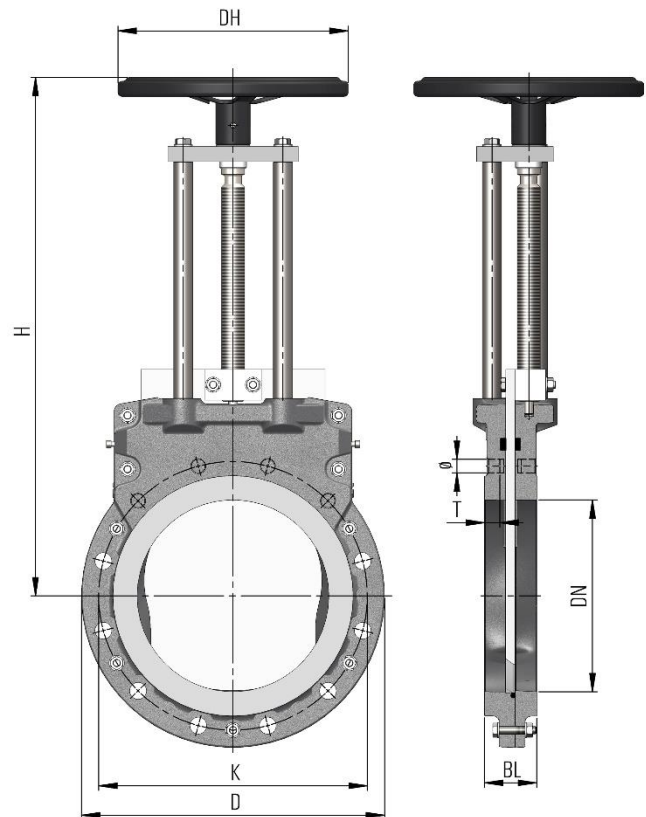


### DN 50–600 Standard construction

- Handwheel actuated
- DN 50–600 with non-rising stem  
DN 600–1600 with bevel gear and rising stem
- Materials acc. to data sheet 2.0.13
- Corrosion protection acc. to data sheet 2.0.12
- Flange drilling: PN 10/16 EN 1092 / ISO 7005
- Face-to-face: EN 558 / ISO 5752 part 20
- Nominal pressure PN: DN 50–300 10 bar  
DN 350–400 6 bar  
DN 450–1600 4 bar
- Operating pressure: Refer to table column OP
- Test acc. EN 12266-1, rate A

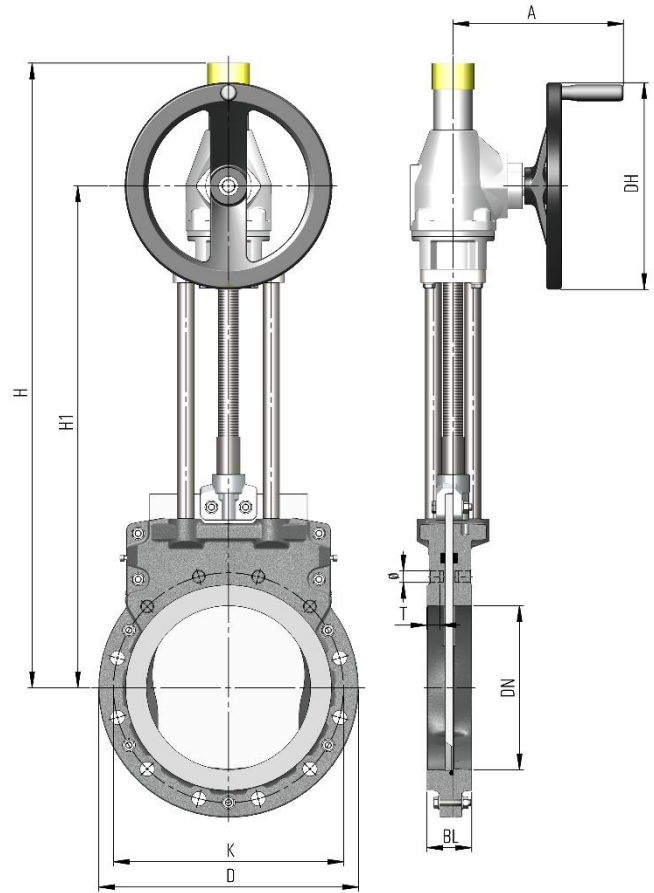


DN	D	K	BL	H	DH	Ø	T	Screws	⊕	⊕	Weight	*OP max. bar
50	165	125	43	275	150	M16	–	4 pcs.	–	4	10 kg	10
65 <sup>1</sup>	185	145	46	312	150	M16	12	8 pcs.	2	6	12 kg	10
80	200	160	46	339	200	M16	13	8 pcs.	2	6	15 kg	10
100	220	180	52	384	200	M16	16	8 pcs.	2	6	17 kg	10
125	250	210	56	418	200	M16	18	8 pcs.	2	6	21 kg	10
150	285	240	56	501	300	M20	16	8 pcs.	2	6	31 kg	10
200	340	295	60	586	300	M20	18	8 pcs.	2	6	43 kg	10
250	395	350	68	676	300	M20	21	12 pcs.	4	8	59 kg	10
300	445	400	78	785	400	M20	21	12 pcs.	4	8	82 kg	10
350	505	460	78	876	400	M20	18	16 pcs.	4	12	99 kg	6
400	565	515	102	961	400	M24	24	16 pcs.	4	12	137 kg	6
450	615	565	114	1063	500	M24	28	20 pcs.	6	14	239 kg	4
500	670	620	127	1124	500	M24	28	20 pcs.	6	14	259 kg	4
600	780	725	154	1312	630	M27	32	20 pcs.	6	14	355 kg	4

\* Applicable for troublefree media service

<sup>1</sup> DN 65 with 8 holes

**DN 600 - 1600**



DN	D	K	BL	H	H1	DH	A	Ø	T	Screws	⊕	⊕	Bevel gear GK	Weight	OP max. bar
600	780	725	154	2028	1448	400	290	M27	32	20 pcs.	6	14	14.2	369 kg	4
700	895	840	165	2325	1645	500	301	M27	41	24 pcs.	8	16	14.6	680 kg	4
800	1015	950	190	2600	1820	500	301	M30	43	24 pcs.	8	16	14.6	840 kg	4
900	1115	1050	203	3014	2133	630	338	M30	45	28 pcs.	10	18	16.2	1220 kg	4
1000	1230	1160	216	3279	2298	800	354	M33	48	28 pcs.	10	18	16.2	1680 kg	4
1200	1455	1380	254	3844	2663	1000	333	M36	52	32 pcs.	12	20	16.2	2990 kg	4
1400	1675	1590	279	4503	3088	1000	405	M39	55	36 pcs.	12	24	25.2	3970 kg	4
1600	1915	1820	318	5066	3560	1200	432	M45	60	40 pcs.	14	26	25.2	5180 kg	4