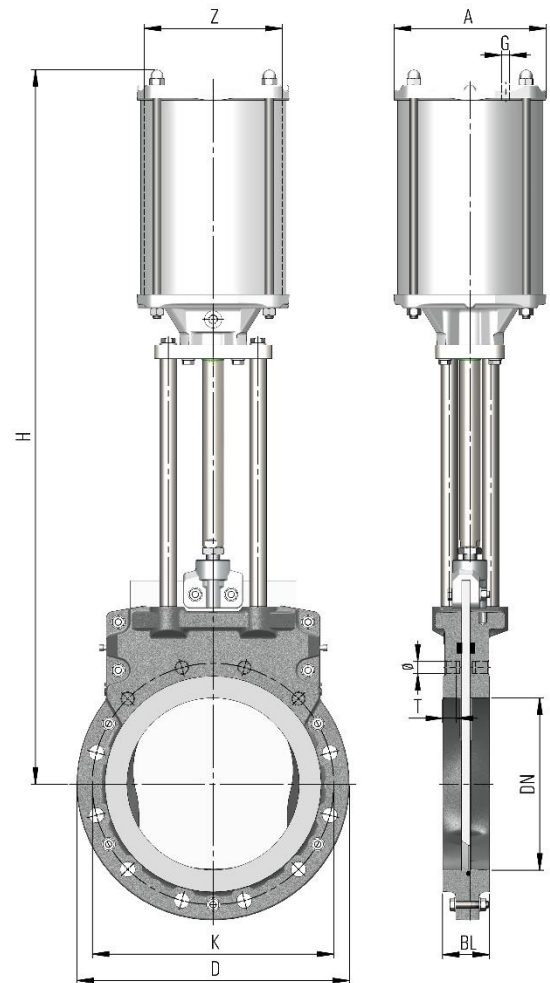


DN 50–600 Standard construction

- Valve operated by pneumatic cylinder
- Supply pressure: 6–8 bar
- Material acc. to data sheet 2.0.13
- Corrosion protection acc. to data sheet 2.0.12
- Flange drilling: PN 10/16 EN 1092 / ISO 7005
- Face-to-face: EN 558 / ISO 5752 part 20
- Nominal pressure PN: DN 50–300 10 bar
DN 350–400 6 bar
DN 450–600 4 bar
- Operating pressure: Refer to table column OP
- Test acc. EN 12266-1, rate A



DN	D	K	BL	H	Z	A	G	Ø	T	Screws	⊕	⊕	Weight	*OP max. bar
50	165	125	43	402	100	140	ISO 228-G¼	M16	–	4 pcs.	–	4	9 kg	10
65 ¹	185	145	46	453	100	140	ISO 228-G¼	M16	12	8 pcs.	2	6	13 kg	10
80	200	160	46	495	100	140	ISO 228-G¼	M16	13	8 pcs.	2	6	14 kg	8
100	220	180	52	568	100	140	ISO 228-G¼	M16	16	8 pcs.	2	6	18 kg	6
125	250	210	56	627	100	140	ISO 228-G¼	M16	18	8 pcs.	2	6	22 kg	5
150	285	240	56	728	160	180	ISO 228-G¼	M20	16	8 pcs.	2	6	32 kg	10
200	340	295	60	863	160	180	ISO 228-G¼	M20	18	8 pcs.	2	6	42 kg	6
250	395	350	68	1036	200	220	ISO 228-G¼	M20	21	12 pcs.	4	8	64 kg	6
300	445	400	78	1176	200	220	ISO 228-G¼	M20	21	12 pcs.	4	8	91 kg	5
350	505	460	78	1369	250	270	ISO 228-G½	M20	18	16 pcs.	4	12	118 kg	6
400	565	515	102	1502	250	270	ISO 228-G½	M24	24	16 pcs.	4	12	162 kg	5
450	615	565	114	1652	250	270	ISO 228-G½	M24	28	20 pcs.	6	14	207 kg	4
500	670	620	127	1770	300	320	ISO 228-G½	M24	28	20 pcs.	6	14	248 kg	4
600	780	725	154	2063	300	320	ISO 228-G½	M27	32	20 pcs.	6	14	381 kg	3

* Applicable for supply air pressure of 6 bar in troublefree media. Larger actuators on request.

¹ DN 65 with 8 holes

Dimensions mm. All information for reference only.
Modifications reserved.