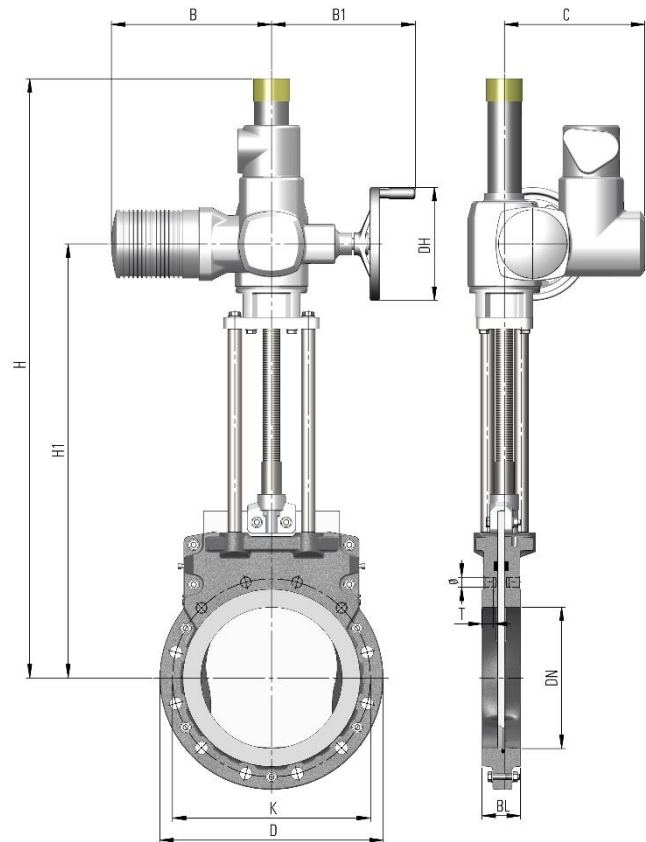


DN 50–1600 Standard construction

- Valve operated by electrical actuator 3×400 V, 50 Hz with rising stem
- Material acc. to data sheet 2.0.13
- Corrosion protection acc. to data sheet 2.0.12
- Flange drilling: PN 10/16 EN 1092 / ISO 7005
- Face-to-face: EN 558/ISO 5752 part 20
- Nominal pressure PN: DN 50– 300 10 bar
DN 350– 400 6 bar
DN 450–1600 4 bar
- Operating pressure: Refer to table column OP
- Test acc. EN 12266-1, rate A



DN	D	K	BL	H	H1	DH	B	B1	C	Ø	T	Screws	⊕	⊕	Actuator SA...	Weight	*OP max. bar
50	165	125	43	583 ³	373	160	265	249	238	M16	–	4 pcs.	–	4	07.2	25 kg	10
65 ¹	185	145	46	619 ³	409	160	265	249	238	M16	12	8 pcs.	2	6	07.2	26 kg	10
80	200	160	46	646 ³	436	160	265	249	238	M16	13	8 pcs.	2	6	07.2	30 kg	10
100	220	180	52	698 ³	488	160	265	249	238	M16	16	8 pcs.	2	6	07.2	32 kg	10
125	250	210	56	732 ³	522	160	265	249	238	M16	18	8 pcs.	2	6	07.2	36 kg	10
150	285	240	56	791	581	160	265	249	238	M20	16	8 pcs.	2	6	07.6	42 kg	10
200	340	295	60	876	666	160	265	249	238	M20	18	8 pcs.	2	6	07.6	53 kg	9
250	395	350	68	1049	767	200	283	254	248	M20	21	12 pcs.	4	8	10.2	77 kg	10
300	445	400	78	1139	857	200	283	254	248	M20	21	12 pcs.	4	8	10.2	106 kg	7
350	505	460	78	1352	970	200	283	254	248	M20	18	16 pcs.	4	12	10.2	144 kg	5
400	565	515	102	1435	1053	200	283	254	248	M24	24	16 pcs.	4	12	10.2	192 kg	4
450	615	565	114	1589	1183	315	389	336	286	M24	28	20 pcs.	6	14	14.2	249 kg	4
500	670	620	127	1651	1245	315	389	336	286	M24	28	20 pcs.	6	14	14.2	310 kg	4
600 ²	780	725	154	2044	1438	315	389	366	286	M27	32	20 pcs.	6	14	14.2	430 kg	4
700 ²	895	840	165	2341	1635	400	389	339	286	M27	41	24 pcs.	8	16	14.6	560 kg	4
800 ²	1015	950	190	2616	1810	400	389	339	286	M30	43	24 pcs.	8	16	14.6	760 kg	4
900 ²	1115	1050	203	2956	2130	500	430	365	307	M30	45	28 pcs.	10	18	16.2	1340 kg	4
1000 ²	1230	1160	216	3220	2295	500	430	365	307	M33	48	28 pcs.	10	18	16.2	1446 kg	4
1200 ²	1455	1380	254	3912	2750	400	513	409	411	M36	52	32 pcs.	12	20	25.1	2257 kg	4

Dimensions mm. All information for reference only. Modifications reserved.

DN	D	K	BL	H	H1	DH	B	B1	C	Ø	T	Screws	⊕	⊕	Actuator SA...	Weight	*OP max. bar
1400 ²	1675	1590	279	4465	3490	500	742	438	445	M39	55	36 pcs.	12	24	30.1	3513 kg	4
1600 ²	1915	1820	308	5112	3637	500	742	438	445	M45	60	40 pcs.	14	26	30.1	5460 kg	4

* Applicable in troublefree media. Larger size actuators on request.

¹ DN 65 with 8 holes

² Actuator 90° turned

³ DN 50-125 without protection tube