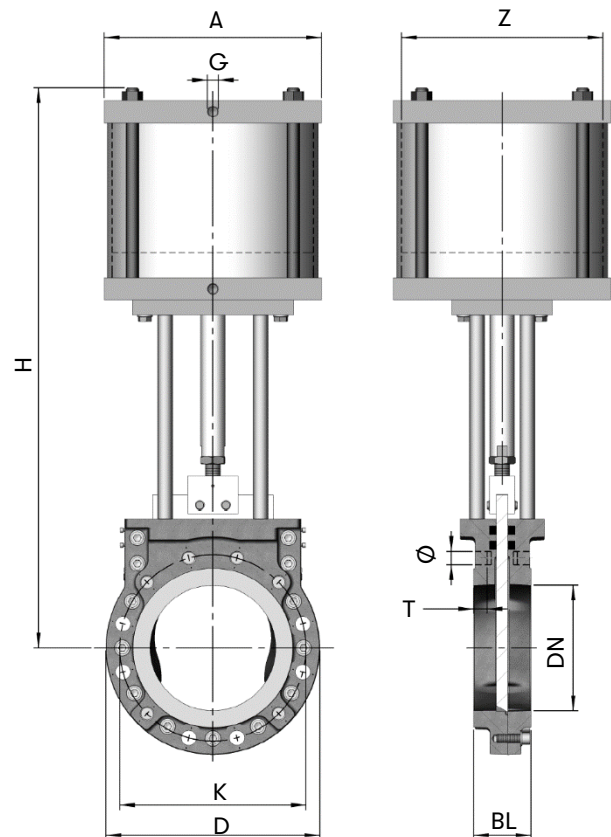


### DN 100–400 Standard execution

- Actuation by double acting pneumatic cylinder
- Air supply pressure 6–8 bar
- Material acc. to data sheet 2.0.13
- Corrosion protection acc. to data sheet 2.0.12
- Flange drilling: PN 25 EN 1092 / ISO 7005 (DIN 2501)
- Face to Face: EN 558 / ISO 5752 Series 16 (DIN 3202 K3)
- Nominal pressure PN: 25 bar
- Test pressure acc. to EN 12266 Leakage rate A



DN	D	K	BL	Ø	T	Bolts	Tapped holes	Through bore	Actuator*				Weight
									Z	H	A	G ISO 228	
100	235	190	64	M20	15	8 pcs.	4 pcs.	4 pcs.	160 <sup>1</sup>	595	180	G ¼"	31 kg
									200 <sup>1</sup>	619	220	G ¼"	33 kg
									250 <sup>1</sup>	648	270	G ½"	35 kg
125	270	220	70	M24	17	8 pcs.	4 pcs.	4 pcs.	160	682	180	G ¼"	40 kg
									200	706	220	G ½"	42 kg
									250	735	270	G ½"	44 kg
150	300	250	76	M24	17	8 pcs.	4 pcs.	4 pcs.	160	728	180	G ¼"	47 kg
									200	752	220	G ¼"	51 kg
									250	781	270	G ½"	55 kg
200	360	310	89	M24	21	12 pcs.	6 pcs.	6 pcs.	200	956	220	G ¼"	81 kg
									250	985	270	G ½"	87 kg
									300	991	320	G ½"	98 kg
250	425	370	114	M27	27	12 pcs.	6 pcs.	6 pcs.	250	1115	270	G ½"	126 kg
									300	1121	320	G ½"	138 kg
									400	1115	432	G ¾"	320 kg
300	485	430	114	M27	27	16 pcs.	6 pcs.	10 pcs.	250	1285	270	G ½"	167 kg
									300	1291	320	G ½"	178 kg
									400	1288	432	G ¾"	362 kg
350	555	490	127	M30	31	16 pcs.	6 pcs.	10 pcs.	300	1425	320	G ½"	232 kg
									400	1420	432	G ¾"	425 kg
									500	1457	534	G ¾"	573 kg

DN	D	K	BL	Ø	T	Vis	Tapped holes	Through bore	Actuator*				Weight
									Z	H	A	G ISO 228	
400	620	550	140	M33	35	16 pcs.	6 pcs.	10 pcs.	300	1598	320	G ½"	320 kg
									400	1604	432	G ¾"	517 kg
									500	1629	534	G ¾"	675 kg
									600	1480	642	G ¾"	985 kg

\* Actuator size will be selected according to operating conditions

<sup>1</sup> 45° turned