

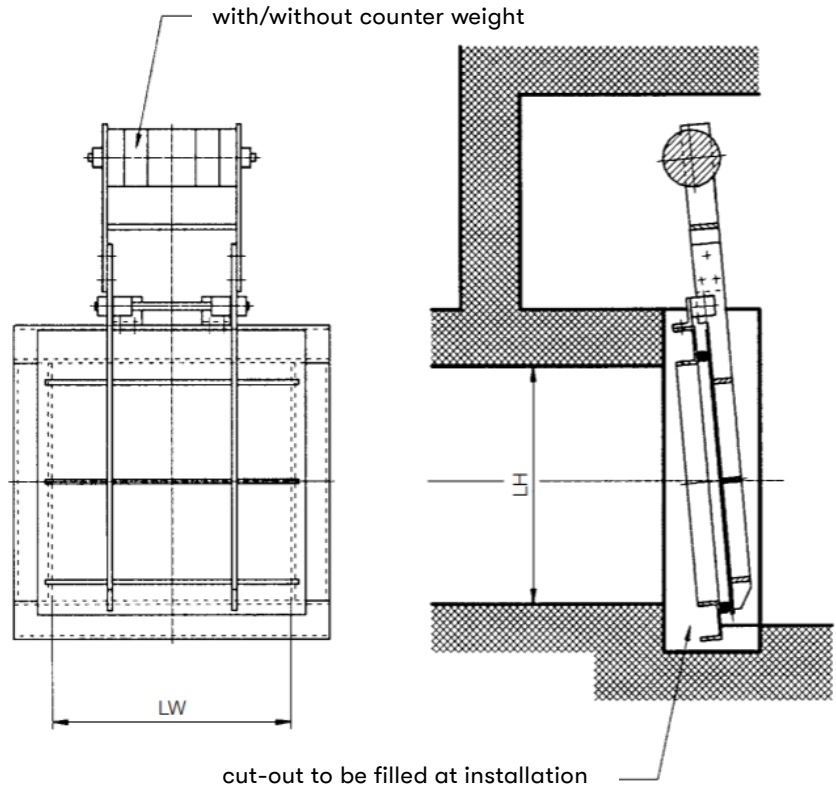
WEY FLAP VALVE SQUARE 6.4

Data sheet

Standard construction

- Frame material 1.4404
- Flap material 1.4404
- Weight: Cast Iron

Special designs on request



LW	Width	_____ mm
LH	Height	_____ mm
▼	Max. water pressure	_____ mm

Cut-Out

