

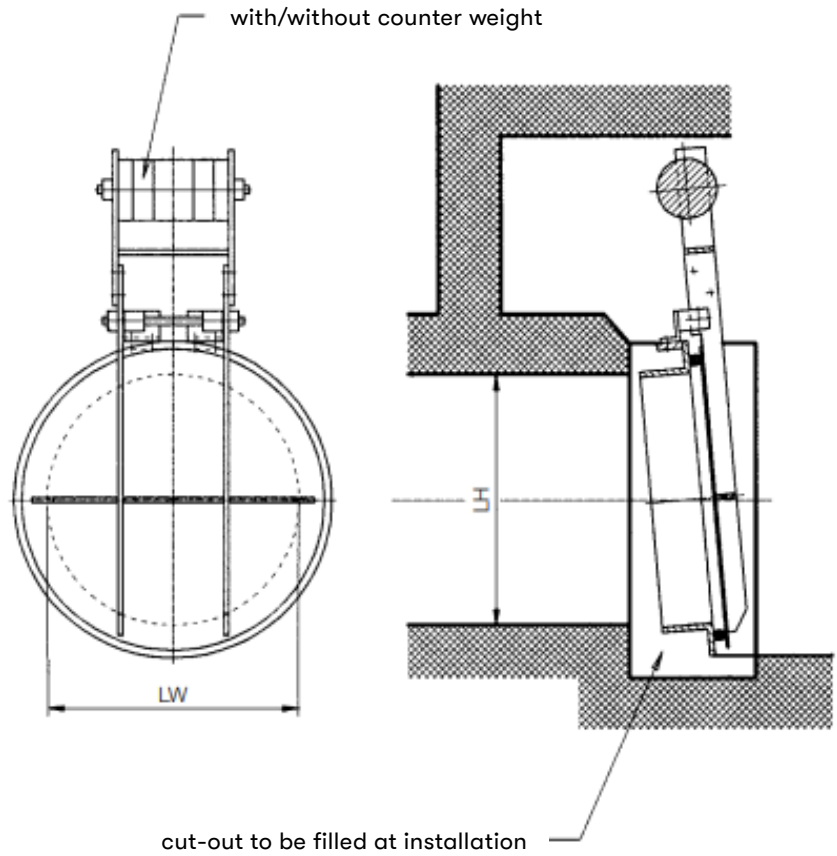
# WEY FLAP VALVE ROUND 6.4.1

## Data sheet

### Standard construction

- Frame material 1.4404
- Flap material 1.4404
- Bearing Sleeve bearing
- Weight Steel zincplated

Special designs on request



LW	Width	_____ mm
LH	Height	_____ mm
▼	Max. water pressure	_____ mm

### Cut-Out

