

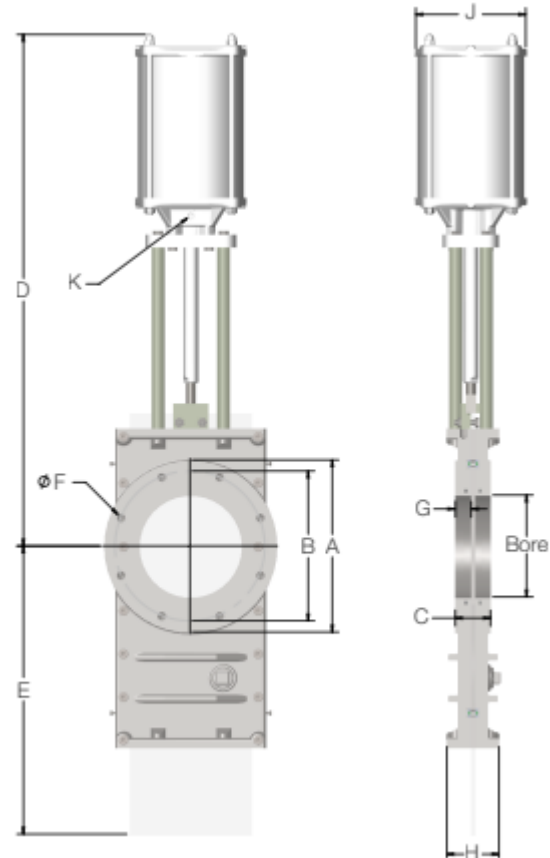
WEY KNIFE GATE VALVE SG CYLINDER OPERATED



Data sheet

Size 6"-24" Standard Configuration

- Design: Full Flange Body
- Materials: Solid Cast Body
Hardened 440 Gate with hardened 410 Seat
- Full O-port Body and Gate
- Optional V-Port Gate available
- Solid Steel Heavy Duty 4-Post Topworks
- Flange Drilling: ANSI 150
- Face-to-Face: TAPPI & MSS-SP81
- Pressure Rating: Size 2"-12" 150 psi Shut-off
Size 14"-24" 90 psi Shut-off
- Suitable for Dead-end Service
- Optional Cylinder Sizes Available



Bore	A	B	C	D	E	F	G	H	J	K	Bolts	⊕	Op. Pressure	Weight
2"	6.00	4.75	1.87	22.25	8.90	5/8" - 11	0.63	2.75	4	1/4"	4 pcs.	-	150 psi	48 lbs
3"	7.50	6.00	2.00	27.25	10.58	5/8" - 11	0.63	3.54	4	1/4"	4 pcs.	-	150 psi	85 lbs
4"	9.00	7.50	2.00	29.00	12.37	5/8" - 11	0.63	3.54	6	1/4"	8 pcs.	4	150 psi	115 lbs
6"	11.00	9.50	2.25	35.75	15.75	3/4" - 10	0.75	4.33	8	3/8"	8 pcs.	4	150 psi	245 lbs
8"	13.50	11.75	2.75	38.75	22.33	3/4" - 10	0.87	4.84	10	3/8"	8 pcs.	4	150 psi	365 lbs
10"	16.00	14.25	2.75	48.75	27.45	7/8" - 9	0.87	5.75	12	3/8"	12 pcs.	8	150 psi	513 lbs
12"	19.00	17.00	3.00	56.00	32.67	7/8" - 9	0.87	5.75	14	3/4"	12 pcs.	8	150 psi	726 lbs
14"	21.00	18.50	3.00	61.00	36.33	1" - 8	0.87	5.75	16	3/4"	12 pcs.	8	90 psi	971 lbs
16"	23.50	21.25	3.50	69.00	43.00	1" - 8	1.00	7.87	18	3/4"	16 pcs.	8	90 psi	1420 lbs
18"	25.00	22.75	3.50	75.50	49.23	1 - 1/8" - 7	1.00	9.45	20	3/4"	16 pcs.	8	90 psi	2230 lbs
20"	27.50	25.00	4.50	81.00	59.39	1 - 1/8" - 7	1.37	9.85	24	3/4"	20 pcs.	12	90 psi	2660 lbs
24"	32.00	29.50	4.50	84.75	64.20	1 - 1/8" - 7	1.50	10.63	26	3/4"	20 pcs.	12	90 psi	3300 lbs

⊕ = Number of Blind Tapped Holes in Chest