

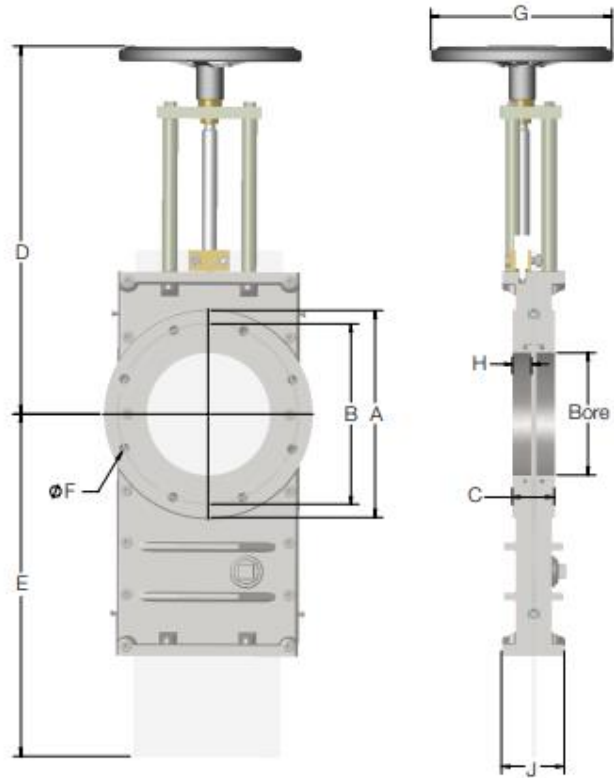
WEY KNIFE GATE VALVE SG HANDWHEEL OPERATED

Data sheet



Size 2"-12" Standard Configuration

- Design: Full Flange Body
- Materials: Solid Cast Body
Hardened 440 Gate with hardened 410 Seat
- Full O-port Body and Gate
Optional V-Port Gate available
- Solid Steel Heavy Duty 4-Post Topworks
- Flange Drilling: ANSI 150
- Face-to-Face: TAPPI & MSS-SP81
- Pressure Rating: Size 2"-12" 150 psi Shut-off
- Suitable for Dead-end Service



| Bore | A | B | C | D | E | F | G | H | J | Bolts | ⊕ | Op. Pressure | Weight |
|------|-------|-------|------|-------|-------|-----------|-------|------|------|---------|---|--------------|---------|
| 2" | 6.00 | 4.75 | 1.87 | 12.75 | 8.90 | 5/8" - 11 | 7.87 | 0.63 | 2.75 | 4 pcs. | - | 150 psi | 38 lbs |
| 3" | 7.50 | 6.00 | 2.00 | 15.30 | 10.58 | 5/8" - 11 | 7.87 | 0.63 | 3.54 | 4 pcs. | - | 150 psi | 70 lbs |
| 4" | 9.00 | 7.50 | 2.00 | 16.54 | 12.37 | 5/8" - 11 | 7.87 | 0.63 | 3.54 | 8 pcs. | 4 | 150 psi | 90 lbs |
| 6" | 11.00 | 9.50 | 2.25 | 20.56 | 15.75 | 3/4" - 10 | 9.84 | 0.75 | 4.33 | 8 pcs. | 4 | 150 psi | 170 lbs |
| 8" | 13.50 | 11.75 | 2.75 | 23.59 | 22.33 | 3/4" - 10 | 11.81 | 0.87 | 5.51 | 8 pcs. | 4 | 150 psi | 270 lbs |
| 10" | 16.00 | 14.25 | 2.75 | 27.45 | 27.45 | 7/8" - 9 | 11.81 | 0.87 | 5.51 | 12 pcs. | 8 | 150 psi | 370 lbs |
| 12" | 19.00 | 17.00 | 3.00 | 32.67 | 31.25 | 7/8" - 9 | 15.75 | 0.87 | 5.75 | 12 pcs. | 8 | 150 psi | 520 lbs |

⊕ = Number of Blind Tapped Holes in Chest