

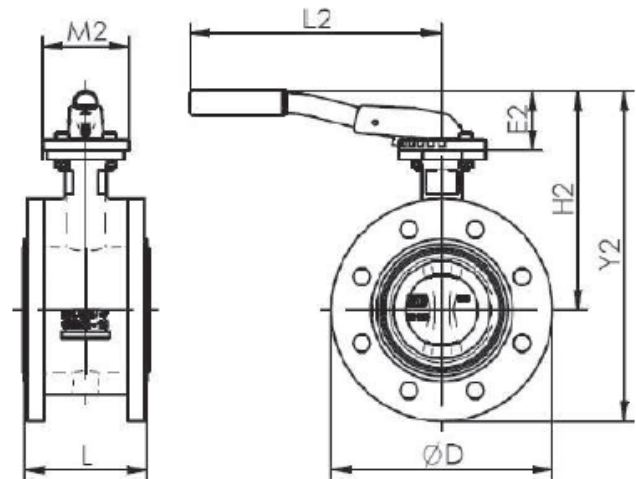
WEY BUTTERFLY VALVE TF13 WITH HAND LEVER

Data sheet

9.4.20

Hand lever Type MN

- Handle: Non-slip soft plastic red
- Lever arm: Epoxy coated carbon steel black
- Lever head: Epoxy coated aluminium black
- Locking plate: Glass fibre reinforced polyamide
- Lockable every 15°

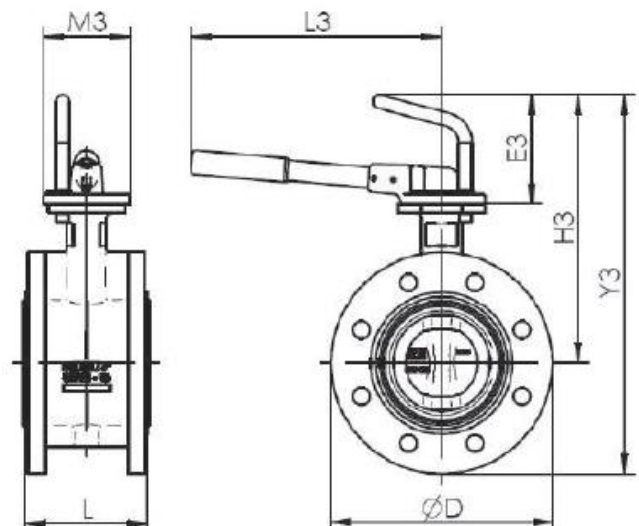


TF13 with lockable lever type MN

DN [mm]	D	L	E2	H2	Y2	L2	M2	Kg
40	1½"	150	49	159	234	220	90	6.2
50	2"	165	49	169	252	220	90	7.2
65	2½"	185	49	184	277	220	90	8.9
80	3"	200	60	201	301	260	90	10.3
100	4"	230	60	225	340	260	90	13.2
125	5"	255	75	255	383	315	90	17.2
150	6"	285	75	268	411	315	90	20.8
200	8"	343	75	300	472	315	90	30.8

Hand lever Type MR

- Handle: Non-slip soft plastic red
- Lever arm: Epoxy coated carbon steel black
- Lever head: Epoxy coated aluminium black
- Locking plate: Aluminium
- Locking lever: Stainless steel AISI 420
- Lever freely positionable and lockable



TF13 with freely positionable and lockable lever type MR

DN [mm]		D	L	E3	H3	Y3	L3	M3	Kg
40	1½"	150	106	113	223	298	260	90	6.1
50	2"	165	108	113	233	315	260	90	7.1
65	2½"	185	112	113	248	340	260	90	8.8
80	3"	200	114	113	254	354	260	90	10.1
100	4"	230	127	113	278	393	260	90	13
125	5"	255	140	113	293	420	310	90	17
150	6"	285	140	113	306	448	310	90	20.6
200	8"	345	152	113	338	510	310	90	30.6
250	10"	406	165	120	403	606	500	130	46.8
300	12"	480	178	120	428	668	500	130	71.9