

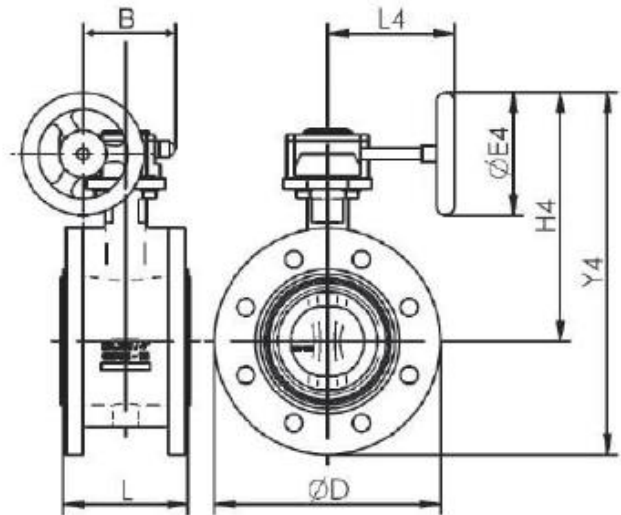
WEY BUTTERFLY VALVES TF13 WITH MANUAL GEAR

Data sheet

9.4.30

Manual aluminium gear Serie KGA

- Position indicator: Plastic yellow-black
- End position adjustment: +/- 5°
- Shaft: AISI 303, 1.4305
- Housing: cast aluminium epoxy coated 60µm RAL3020
- Ingress protection: IP65
- Standard temperature range: -20°C to +90°C
- Handwheel: pressed steel sheet epoxy coated 60µm RAL9005
- Application: protected dry environment

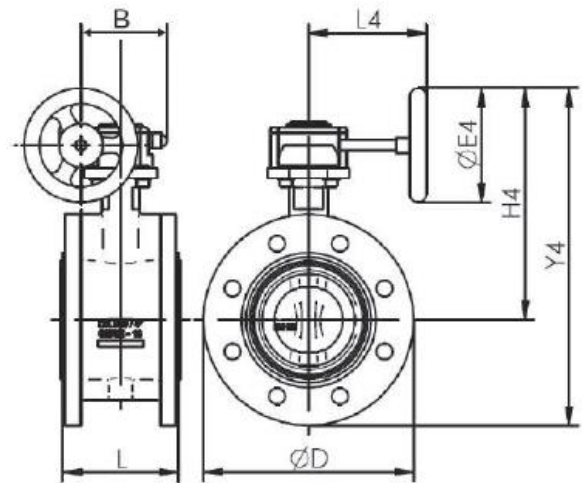


DN [mm]	D	L	Type	E4	H4	Y4	L4	B	Kg	
40	1½"	150	106	KGA07-125/100	100	187	262	121	90.5	6.5
50	2"	165	108	KGA07-125/100	100	197	280	121	90.5	7.5
65	2½"	185	112	KGA07-125/100	100	212	305	121	90.5	9.2
80	3"	200	114	KGA07-125/100	100	218	318	121	90.5	10.5
100	4"	230	127	KGA07-125/100	100	242	357	121	90.5	13.4
125	5"	255	140	KGA07-125/100	100	257	385	121	90.5	17.3
150	6"	285	140	KGA07-125/100	100	270	413	121	90.5	20.9
200	8"	343	152	KGA07-250/125	125	315	486	170	90.5	31.1
250	10"	406	165	KGA10-500/125	125	373	583	185	110	46.9
300	12"	480	178	KGA10-500/160	160	416	656	194	110	72.2

Standard design for Pmax 16 bar to DN 150, Pmax 10 bar DN 200 - 500, Pmax 6 bar DN 600 - 1200, for water at 20°C in combination with seal EPDM (M01) or NBR (M07)

Manual cast iron gear series KGG

- Position indicator: Aluminium yellow-black, O-Ring sealing
- End position adjustment: +/- 5°
- Shaft: AISI 1045, C45 electrophoresis protection
- Housing: GG25, GJL-250, epoxy coated 200µm RAL3020
- Corrosion protection: Standard class C3 acc. to EN ISO 12944, optional C4 and C5M available
- Ingress protection: IP67
- Standard temperature range: -20°C to +120°C
- Handwheel: Steel epoxy coated 60µm RAL 9005
- Application: Robust design for outdoor installation, weatherproof
- Standard design for Pmax 16 bar up to DN 150, Pmax 10 bar DN 200 - 500, Pmax 6 bar DN 600 to DN 1200 for water at 20°C in combination with seal EPDM (M01) or NBR (M07)



DN [mm]	D	L	Type	E4	H4	Y4	L4	B	Kg	
40	1½"	150	106	KGG07-150/150	150	212	287	158	118	8.1
50	2"	165	108	KGG07-150/150	150	232	315	158	118	9.1
65	2½"	185	112	KGG07-150/150	150	237	330	158	118	10.8
80	3"	200	114	KGG07-150/150	150	243	343	158	118	12.1
100	4"	230	127	KGG07-150/150	150	267	382	158	118	15
125	5"	255	140	KGG07-150/150	150	282	409	158	118	18.9
150	6"	285	140	KGG07-150/150	150	295	437	158	118	22.5
200	8"	343	152	KGG10-330/150	150	329	501	217	110	34.5
250	10"	406	165	KGG10-330/150	150	386	596	217	110	49.8
300	12"	480	178	KGG10-500/200	200	437	677	217	110	75
350	14"	535	190	KGG10-500/250	250	492	763	247	110	90.9
400	16"	597	216	KGG12-1000/400	400	621	929	297	157	123.5
450	18"	640	222	KGG14-2000/600	600	723	1063	425	189	161.6
500	20"	715	229	KGG14-2000/800	800	875	1255	475	189	207.8
600	24"	840	267	KGG16-3250/700	700	892	1332	481	214	322.5
700	28"	927	292	KGG25-4500/600	600	916	1401	483	196	413.2
750	30"	995	318	KGG25-4500/600	600	946	1476	483	196	492.2
800	32"	1060	318	KGG25-7000/400	400	885	1450	397	273	565.3
900	36"	1170	330	KGG25-7000/600	600	1050	1660	537	295	723.4
1000	40"	1290	410	KGG25-9000/600	600	1132	1807	550	305	959.4
1100	44"	1405	410	KGG25-9000/600	600	1176	1910	565	305	1216.4
1200	48"	1510	470	KGG25-12500/700	700	1284	2111	605	352	1548.5

Standard design for Pmax 16 bar to DN 150, Pmax 10 bar DN 200 - 500, Pmax 6 bar DN 600 - 1200, for water at 20°C in combination with seal EPDM (M01) or NBR (M07).

On request, we will also be pleased to work out the gear allocation for your specific operating conditions.