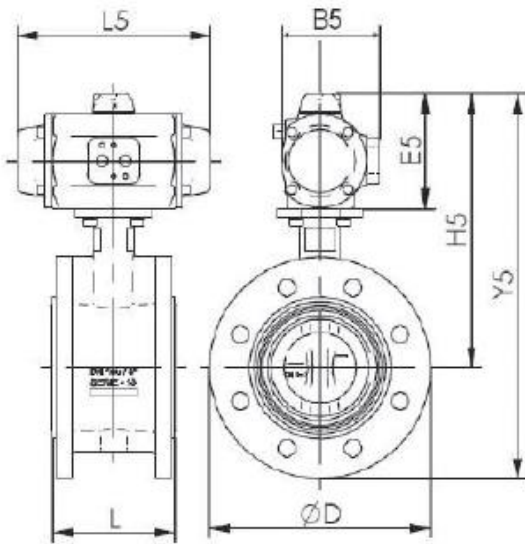


WEY BUTTERFLY VALVES TF13 WITH PNEUMATIC ACTUATOR

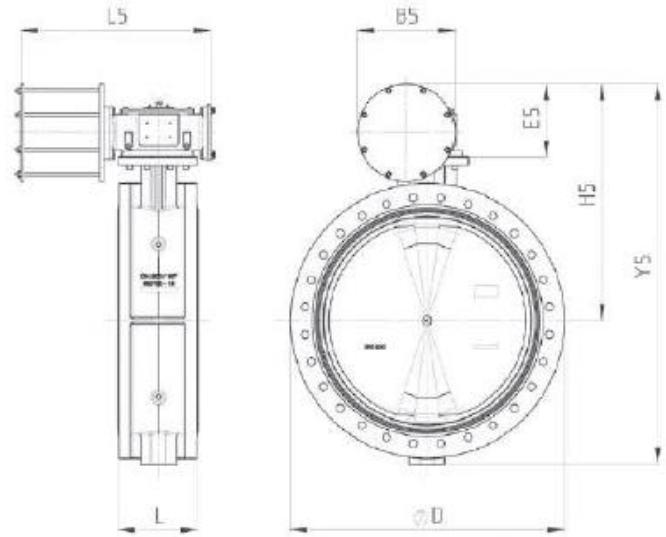
Dimensions

9.4.40

Pneumatic actuator double-acting



TF13 with pneumatic actuator
type W-RP2020 DA20 – 4000

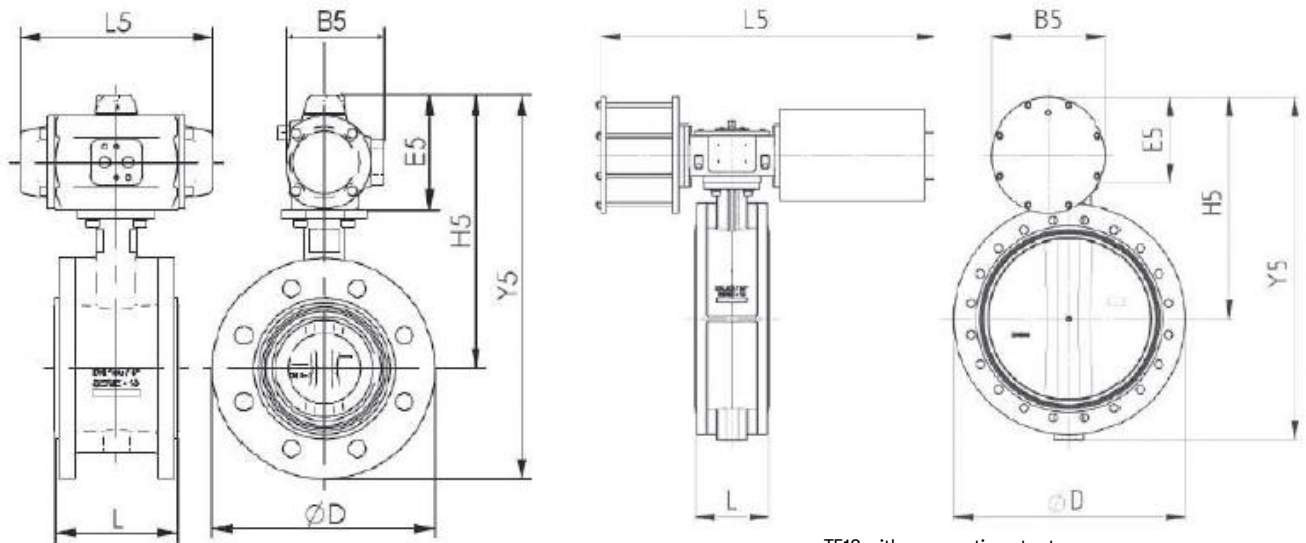


TF13 with pneumatic actuator
type W-SY2020 DA25350 - 30450

DN [mm]	D	L	Type	L5	B5	E5	H5	Y5	Kg	
40	1½"	150	106	DA20	145	76	96	224.5	300	7.1
50	2"	165	108	DA20	145	76	96	234.5	317	8.1
65	2½"	185	112	DA40	158	91	115	268.5	361	10.5
80	3"	200	114	DA40	158	91	115	275	375	11.8
100	4"	230	127	DA80	177	111	137	321	436	15.6
125	5"	255	140	DA130	196	122	146	345	472	20.3
150	6"	285	140	DA130	196	122	146	358	500	23.9
200	8"	343	152	DA200	225	157	165	406	578	37.4
250	10"	406	165	DA300	273	153	182	481	691	53.9
300	12"	480	178	DA500	304	173	199	507	747	85.7
350	14"	535	190	DA850	363	192	221	560	831	102.8
400	16"	597	216	DA1200	439	213	249	629	937	146.8
450	18"	640	222	DA2100	516	277	313	693	1033	193.7
500	20"	715	229	DA2100	516	277	313	745	1125	237.7
600	24"	840	267	DA2500	518	356	383	877	1317	365.5
700	28"	927	292	DA2500	518	356	383	968	1453	466.7
750	30"	995	318	DA4000	626	415	434	1049	1579	605.6
800	32"	1060	318	DA4000	626	415	434	1089	1654	665.6
900	36"	1170	330	DA25350	804	415	319.5	1014.5	1624	875.3
1000	40"	1290	410	DA25400	804	465	344.5	1114.5	1789	1116.3
1100	44"	1405	410	DA25400	804	465	369.5	1184.5	1917	1385.4
1200	48"	1510	470	DA30450	992	516	397	1272	2099	1811.5

Standard design for Pmax 16 bar to DN 150, Pmax 10 bar DN 200 - 500, Pmax 6 bar DN 600 - 1200, for water at 20°C in combination with seal EPDM (M01) or NBR (M07).

Pneumatic actuator single-acting



TF13 with pneumatic actuator
type W-RP2020 SR40 – 4000

TF13 with pneumatic actuator
type W-SY2020 SR16350 - 35600

DN [mm]		D	L	Type	L5	B5	E5	H5	Y5	Kg
40	1½"	150	106	SR40-14	195	91	115	243	318	8
50	2"	165	108	SR80-14	217	111	137	275	357	10.4
65	2½"	185	112	SR80-14	217	111	137	290	383	12.1
80	3"	200	114	SR80-14	217	111	137	296	397	13.4
100	4"	230	127	SR200-14	299	136	165	346	461	22.6
125	5"	255	140	SR300-14	349	153	182	378	506	27.4
150	6"	285	140	SR300-14	349	153	182	391	534	31
200	8"	343	152	SR500-14	397	173	199	440	612	49.7
250	10"	406	165	SR1200-14	560	213	249	532	735	80
300	12"	480	178	SR1200-14	560	213	249	557	797	105.1
350	14"	535	190	SR1750-14	601	243	360	699	970	158.6
400	16"	597	216	SR2100-14	702	277	413	793	1101	222.9
450	18"	640	222	SR4000-14	940	415	504	885	1225	333.1
500	20"	715	229	SR16350-6	1282	415	376	808	1188	488.7
600	24"	840	267	SR16350-6	1282	415	406	900	1340	599.2
700	28"	927	292	SR25400-6	1530	456	540	1100	1585	805.7
750	30"	995	318	SR25400-6	1530	456	540	1130	1660	885.7
800	32"	1060	318	SR30450-6	1880	516	507	1227	1792	1226.1
900	36"	1170	330	SR30550-6	1872	620	649	1344	1954	1538
1000	40"	1290	410	SR35550-6	2353	620	737	1507	2182	2079.6
1100	44"	1405	410	SR35550-6	2353	620	737	1552	2285	2336.6
1200	48"	1510	470	SR35600-6	2355	670	762	1637	2464	2918.5

Standard design for Pmax 16 bar to DN 150, Pmax 10 bar DN 200 - 500, Pmax 6 bar DN 600 - 1200, for water at 20°C in combination with seal EPDM (M01) or NBR (M07).

On request, we will be pleased to work out the actuator allocation for your specific operating conditions.