

# WEY VANNES PAPILLON TF20 WITH HAND LEVER

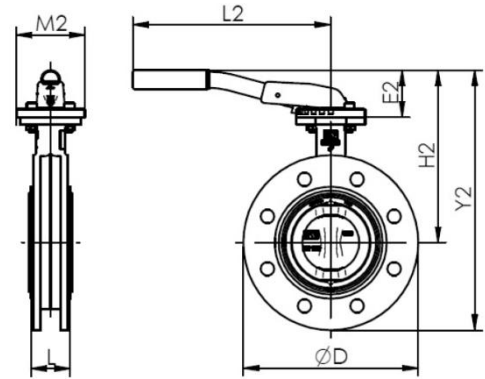


## Dimensions

9.3.20

### Hand lever type MN

- Handle: Non-slip soft plastic red
- Lever arm: Epoxy coated carbon steel black
- Lever head: Epoxy coated aluminium black
- Locking plate: Glass fibre reinforced polyamide
- Lockable every 15°

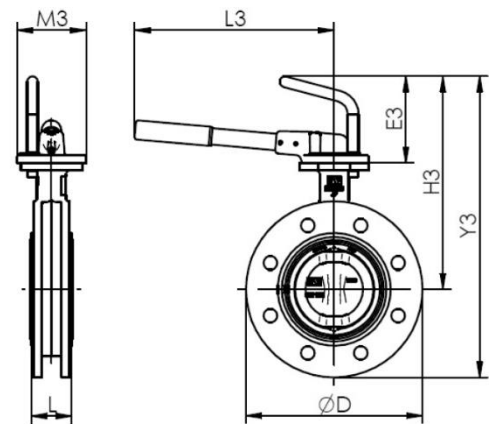


Lockable lever type MN

DN [mm]	D	L	E2	H2	Y2	L2	M2	Kg	
80	3"	200	46	60	201	301	260	90	6.1
100	4"	230	52	60	225	340	260	90	7.8
125	5"	255	56	75	255	383	315	90	10.4
150	6"	285	56	75	268	411	315	90	11.9
200	8"	345	60	75	300	472	315	90	19.3

### Hand lever type MR

- Handle: Non-slip soft plastic red
- Lever arm: Epoxy coated carbon steel black
- Lever head: Epoxy coated aluminium black
- Locking plate: Aluminium
- Locking lever: Stainless steel AISI 420
- Lever freely positionable and lockable



Freely positionable and lockable lever type MR

DN [mm]	D	L	E3	H3	Y3	L3	M3	Kg	
80	3"	200	46	113	254	354	260	90	5.9
100	4"	230	52	113	278	393	260	90	7.6
125	5"	255	56	113	293	420	310	90	10.2
150	6"	285	56	113	306	448	310	90	11.7
200	8"	345	60	113	338	510	310	90	19.1
250	10"	406	68	120	403	606	500	130	32.5
300	12"	480	78	120	428	668	500	130	47