

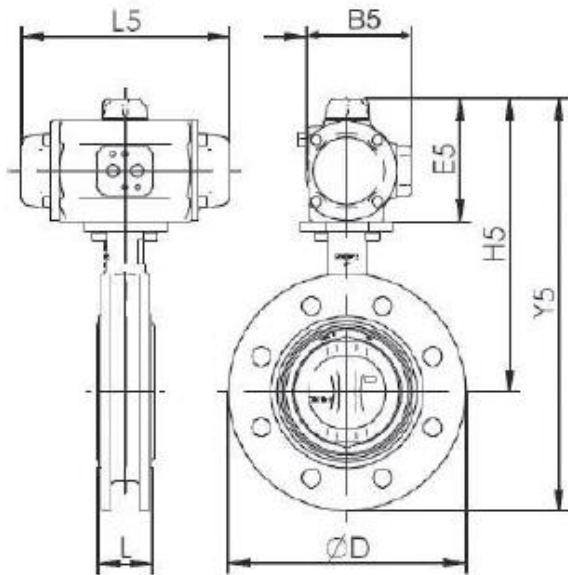
WEY BUTTERFLY VALVES TF20 WITH PNEUMATIC ACTUATOR



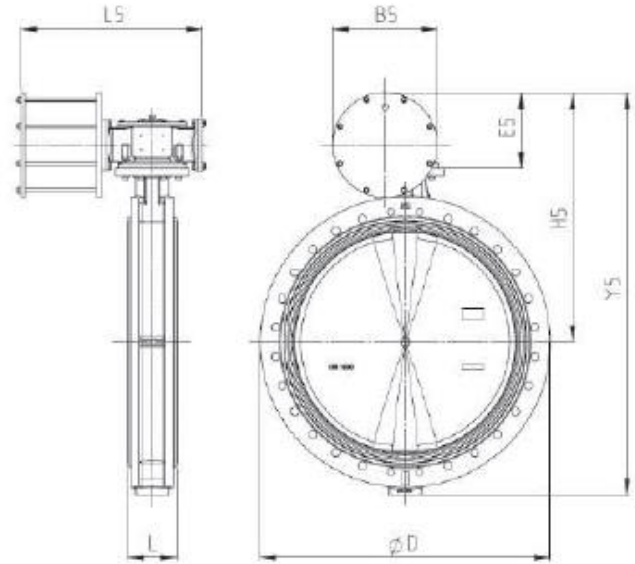
Dimensions

9.3.40

Pneumatic actuator double-acting



TF 20 with pneumatic actuator
type W-RP2020 DA40 - 4000

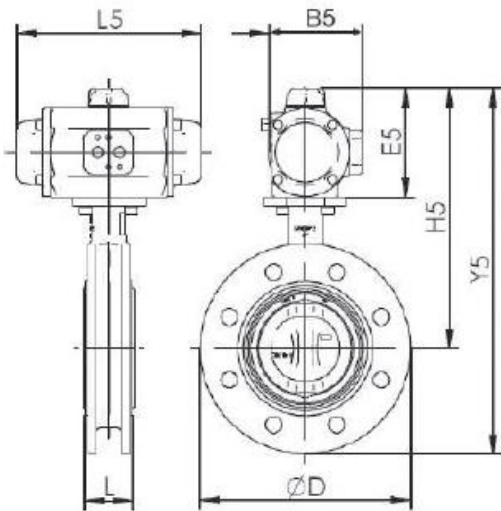


TF 20 with pneumatic actuator
type W-SY2020 DA25350 - 40600

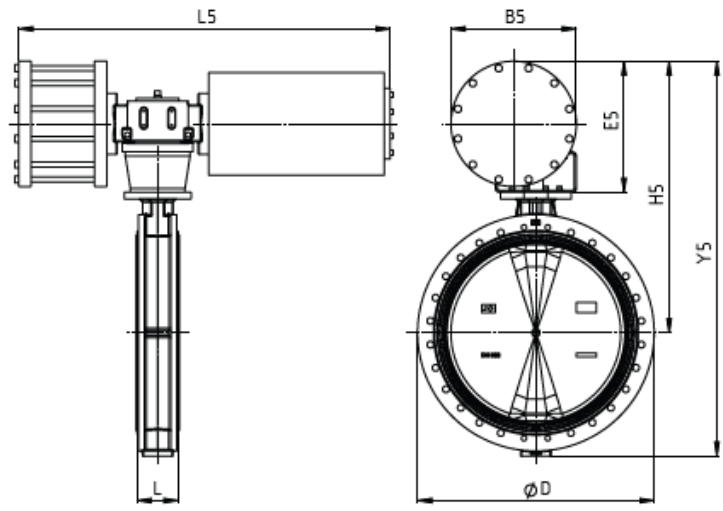
DN [mm]	D	L	Typ	L5	B5	E5	H5	Y5	Kg
80	3"	200	DA40	158	91	115	275	375	7.6
100	4"	230	DA80	177	111	137	321	436	10.2
125	5"	255	DA130	196	122	146	345	472	13.5
150	6"	285	DA130	196	122	146	358	500	15
200	8"	345	DA200	225	137	165	406	579	25.9
250	10"	406	DA300	273	153	182	481	691	39.6
300	12"	480	DA500	304	173	199	507	747	60.8
350	14"	535	DA850	363	192	221	560	831	72.1
400	16"	597	DA1200	439	209	249	629	937	114.8
450	18"	640	DA2100	516	277	313	693	1033	150.6
500	20"	700	DA2100	516	277	313	745	1125	187.7
600	24"	834	DA2500	518	356	383	877	1317	290.5
700	28"	927	DA2500	518	356	383	968	1453	364.7
750	30"	995	DA4000	626	415	434	1049	1579	492.6
800	32"	1060	DA4000	626	415	434	1089	1654	540.6
900	36"	1170	DA25350	804	415	320	1015	1625	707.3
1000	40"	1290	DA25400	804	465	345	1115	1790	897.3
1100	44"	1405	DA25400	804	465	345	1185	1918	1088.4
1200	48"	1485	DA30450	992	516	397	1272	2099	1404.3
1400	56"	1735	DA30450	992	516	397	1397	2376	1916.5
1500	60"	1855	DA40600	1358	670	825	1900	2963	3027.7
1600	64"	1930	DA40600	1358	670	825	1940	3039	3070.7

Standard design for Pmax 16 bar to DN 150, Pmax 10 bar DN 200 - 500, Pmax 6 bar DN 600 - 1600, for water at 20°C in combination with seal EPDM (M01) or NBR (M07)

pneumatic actuator single-acting



TF 20 with pneumatic actuator
type W-RP2020 SR40 - 4000



TF 20 with pneumatic actuator
type W-SY2020 SR16350 - 40800

DN [mm]	D	L	Typ	L5	B5	E5	H5	Y5	Kg	
80	3"	200	46	SR80-14	217	111	137	296	396	9.2
100	4"	230	52	SR200-14	299	136	165	346	461	17.2
125	5"	255	56	SR300-14	349	153	182	378	506	20.6
150	6"	285	56	SR300-14	349	153	182	391	534	22.1
200	8"	345	60	SR500-14	397	173	199	440	613	34.2
250	10"	406	68	SR1200-14	560	213	249	532	742	65.7
300	12"	480	78	SR1200-14	560	213	249	557	797	80.2
350	14"	535	78	SR1750-14	601	243	360	699	967	127.9
400	16"	597	102	SR2100-14	702	277	413	793	1101	190.9
450	18"	640	114	SR4000-14	940	415	504	885	1225	290
500	20"	700	127	SR16350-6	1282	415	376	808	1188	438.7
600	24"	834	154	SR16350-6	1282	415	406	900	1340	524.2
700	28"	927	165	SR25400-6	1530	456	540	1100	1585	703.7
750	30"	995	190	SR25400-6	1530	456	540	1130	1660	772.7
800	32"	1060	190	SR30450-6	1880	516	597	1227	1792	1101.1
900	36"	1170	203	SR30550-6	1872	620	649	1344	1954	1370
1000	40"	1290	216	SR35550-6	2353	620	737	1507	2182	1860.6
1100	44"	1405	216	SR35550-6	2353	620	737	1552	2285	2039.6
1200	48"	1485	254	SR35600-6	2355	670	762	1637	2464	2511.5
1400	56"	1735	280	SR40700-6	2740	772	876	1876	2855	3789.7
1500	60"	1855	318	SR40800-6	2753	878	929	2004	2628	4558.5
1600	64"	1930	318	SR40800-6	2753	878	929	2044	3143	4623.5

Standard design for Pmax 16 bar to DN 150, Pmax 10 bar DN 200 - 500, Pmax 6 bar DN 600 - 1600, for water at 20°C in combination with seal EPDM (M01) or NBR (M07).

On request, we will be pleased to work out the actuator allocation for your specific operating conditions.