

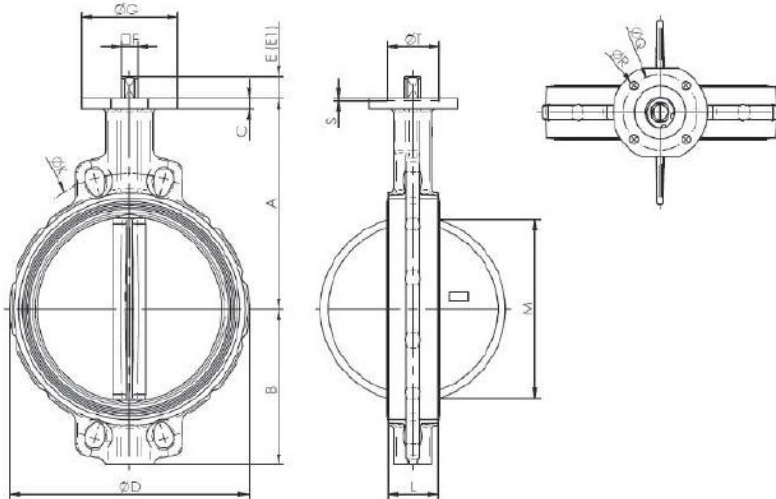
WEY BUTTERFLY VALVES TW20 FREE SHAFT



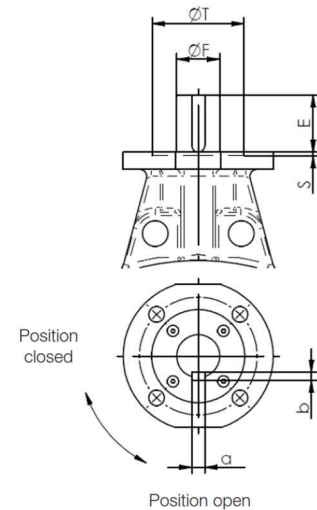
Dimensions

9.1.10

DN 25 – 800



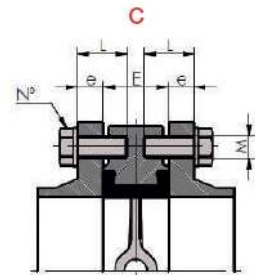
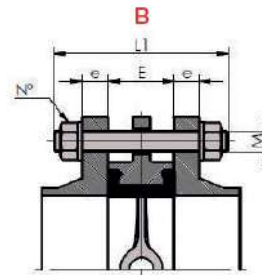
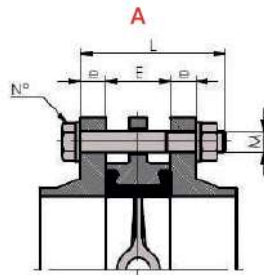
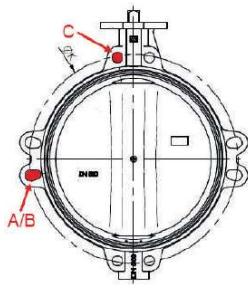
DN 900 - 1200



DN [mm]	General dimensions													Top flange ISO 5211						
	A	B	C	D	E	F	G	K			L	M	Kg	ISO	øQ	øR	S	T	axb	
								PN10	PN16	ANSI cl. 150										
25	1"	103	60	8	68	30	11	90	85	85	79.4	33	14	1.5	F-07	70	4x9			
32	1¼"	103	60	8	68	30	11	90	100	100	88.9	33	14	1.5	F-07	70	4x9			
40	1½"	110	56	10	76	30	11	90	110	110	98.4	33	26	1.6	F-07	70	4x9			
50	2"	120	61	10	100	30	11	90	125	125	120.6	43	29	2.4	F-07	70	4x9			
65	2½"	135	69	10	108	30	11	90	145	145	139.7	46	46	2.7	F-07	70	4x9			
80	3"	141	94	10	124	30	11	90	160	160	152.4	46	65	3.2	F-07	70	4x9			
100	4"	165	106	10	147	30	11	90	180	180	190.5	52	90	4	F-07	70	4x9			
125	5"	180	126	12	180	33	14	90	210	210	215.9	56	112	6.2	F-07	70	4x9			
150	6"	193	133	12	206	33	14	90	240	240	241.3	56	139	7.3	F-07	70	4x9			
200	8"	225	170	12	257	33	17	90	295	295	298.5	60	191	11	F-07	70	4x9			
250	10"	283	210	14	324	30	22	130	350	355	361.9	68	241	20	F-10	102	4x12	3	70	
300	12"	308	240	14	376	30	22	130	400	410	431.8	78	290	30	F-10	102	4x12	3	70	
350	14"	339	263	16	422	31	22	160	460	470	476.2	78	338	35	F-10	102	4x12	3	70	
400	16"	380	308	18	480	31	27	160	515	525	539.7	102	387	56	F-12	125	4x14	4	85	
450	18"	381	340	20	536	38	36	190	565	585	577.8	114	434	80	F-14	140	4x18	4	100	
500	20"	433	380	20	593	38	36	210	620	650	635	127	478	114	F-14	140	4x18	4	100	
600	24"	494	440	24	690	48	46	210	725	770	749.3	154	570	171	F-16	165	4x22	5	130	
700	28"	560	485	25	780	73	46	300	840	840	863.5	165	660	228	F-25	254	8x18	5	200	
750	30"	590	530	25	836	82	55	300	900	900	914.4	190	705	295	F-25	254	8x18	5	200	
800	32"	630	565	27	902	82	55	300	950	950	978	190	763	347	F-25	254	8x18	5	200	
900	36"	695	610	32	1010	110	72	350	1050	1050	1086	203	866	459	F-25	254	8x18	5	200	20x12
1000	40"	770	675	32	1116	110	72	350	1160	1170	1200	216	966	581	F-25	254	8x18	5	200	20x12
1100	44"	815	733	32	1215	110	72	350	1270	1270	1314.5	216	1054	716	F-25	254	8x18	5	200	20x12
1200	48"	875	818	40	1334	110	98	350	1380	1390	1422	254	1153	963	F-30	298	8x23	5	230	28x16

Dimensions mm. All information for reference only. Modifications reserved.

TW20 Wafer



Variant screws

Variant threaded bolts

Additional 4 screws on both sides for the centring holes at DN 450 and DN 700-1200

DN [mm]	E	PN10							PN16							ANSI cl. 150						
		K	E	M	L	L1	N°	K	E	M	L	L1	N°	K	E	M	L	L1	N°			
25	1"	33	85	16	M12	90	110	4	85	16	M12	90	110	4	79.4	14.3	1/2"	M14	85	105	4	
32	1 1/4"	33	100	16	M16	90	110	4	100	16	M16	90	110	4	88.9	17.5	1/2"	M14	90	110	4	
40	1 1/2"	33	110	16	M16	90	110	4	110	16	M16	90	110	4	98.4	17.5	1/2"	M14	90	110	4	
50	2"	43	125	18	M16	100	120	4	125	18	M16	100	120	4	120.6	19	5/8"	M16	100	120	4	
65	2 1/2"	46	145	18	M16	100	120	4	145	18	M16	100	120	4	139.7	22.2	5/8"	M16	110	130	4	
65								8						8								
80	3"	46	160	20	M16	110	130	8	160	20	M16	110	130	8	152.4	23.8	5/8"	M16	110	130	4	
100	4"	52	180	20	M16	110	130	8	180	20	M16	110	130	8	190.5	23.8	5/8"	M16	120	140	8	
125	5"	56	210	22	M16	120	140	8	210	22	M16	120	140	8	215.9	23.8	3/4"	M20	130	150	8	
150	6"	56	240	22	M20	130	150	8	240	22	M20	130	150	8	241.3	25.4	3/4"	M20	130	150	8	
200	8"	60	295	24	M20	130	160	8	295	24	M20	130	160	12	298.5	28.6	3/4"	M20	140	160	8	
250	10"	68	350	26	M20	150	170	12	355	26	M24	150	170	12	361.9	30.2	7/8"	M24	160	180	12	
300	12"	78	400	26	M20	160	180	12	410	28	M24	160	180	12	431.8	31.7	7/8"	M24	170	190	12	
350	14"	78	460	26	M20	170	180	16	470	30	M24	170	190	16	476.2	34.9	1"	M27	180	200	12	
400	16"	102	515	26	M24	180	210	16	525	32	M27	200	220	16	539.7	36.5	1"	M27	210	230	16	
450	18"	114	565	26	M24	190	220	16	585	32	M27	210	240	16	577.8	39.7	1.1/8"	M30	230	250	16	
					M24	60	8	M27			60	8										
500	20"	127	620	28	M24	210	230	20	650	34	M30	230	260	20	635	46	1.1/8"	M30	250	280	16	
600	24"	154	725	28	M27	240	270	20	770	36	M33	260	290	20	749.3	47.6	1.1/4"	M33	280	310	20	
700	28"	165	840	30	M27	260	280	20	840	36	M33	270	300	20	863.5	52.5	1.1/4"	M33	310	340	24	
					M27	80	8	M33			85	8	M33	110				8				
750	30"	190	900	32	M30	290	320	20	900	38	M33	300	340	20	914.4	54	1.1/4"	M33	335	375	24	
					M30	95	8	M33			100	8	M33	110				8				
800	32"	190	950	32	M30	290	320	20	950	38	M36	310	345	20	978	57	1.1/2"	M39	340	380	24	
					M30	110	8	M36			80	8	M39	95				8				
900	36"	203	1050	34	M30	310	350	24	1050	40	M36	330	375	24	1086	60	1.1/2"	M39	370	415	28	
					M30	100	8	M36			100	8	M39	110				8				
1000	40"	216	1160	34	M33	325	360	24	1170	42	M39	345	390	24	1200	63.5	1.1/2"	M39	390	430	32	
					M33	95	8	M39			100	8	M39	120				8				
1100	44"	216	1270	38	M33	330	370	28	1270	48	M39	360	400	28	1314.5	101	1.1/2"	M39	465	510	36	
					M33	100	8	M39			100	8	M39	150				8				
1200	48"	254	1380	38	M36	375	420	28	1390	48	M45	395	445	28	1422	108	1.1/2"	M39	475	520	40	
					M36	110	8	M45			115	8	M39	165				8				

For butterfly valves designed specifically for ANSI class 150 connection, the threads of the centring holes are machined to UNC (inch threads, dimension «M»).