

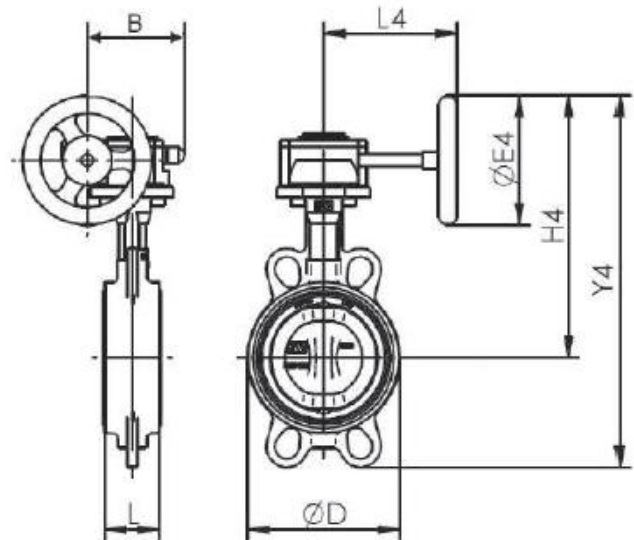
# WEY BUTTERFLY VALVE TW20 WITH MANUAL GEAR

## Data sheet

9.1.30

### Manual aluminium gear series KGA

- Position indicator: Plastic yellow-black
- End position adjustment: +/- 5°
- Shaft: AISI 303, 1.4305
- Housing: cast aluminium epoxy coated 60µm RAL3020
- Ingress protection: IP65
- Standard temperature range: -20°C to +90°C
- Handwheel: pressed steel sheet epoxy coated 60µm RAL9005
- Application: protected dry environment

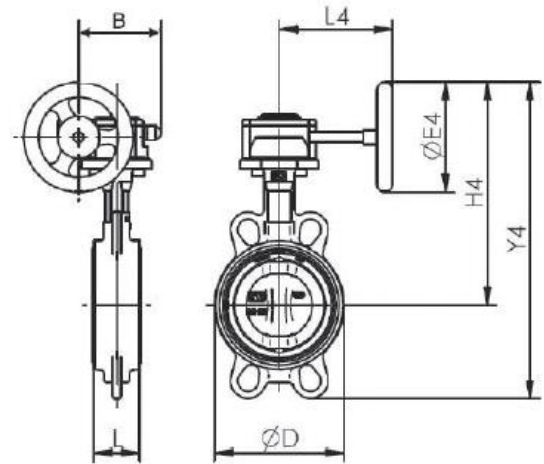


DN [mm]	D	L	Type	E4	H4	Y4	L4	B	Kg	
25	1"	68	33	KGA07-125/100	100	180	240	121	90.5	2.5
32	1¼"	68	33	KGA07-125/100	100	180	240	121	90.5	2.5
40	1½"	76	33	KGA07-125/100	100	187	243	121	90.5	2.6
50	2"	100	43	KGA07-125/100	100	197	258	121	90.5	3.4
65	2½"	108	46	KGA07-125/100	100	212	281	121	90.5	3.7
80	3"	124	46	KGA07-125/100	100	218	312	121	90.5	4.2
100	4"	147	52	KGA07-125/100	100	242	348	121	90.5	5
125	5"	180	56	KGA07-125/100	100	257	383	121	90.5	7.2
150	6"	206	56	KGA07-125/100	100	270	403	121	90.5	8.3
200	8"	257	60	KGA07-250/125	125	315	485	170	90.5	12.1
250	10"	324	68	KGA10-500/125	125	373	583	188	110	22
300	12"	376	78	KGA10-500/160	160	416	656	194	110	31.6

Standard design for Pmax 16 up to DN 150, Pmax 10 bar DN 200 – 300 for water or neutral liquids at 20°C in combination with all seal variants

## Manual cast iron gear series KGG

- Position indicator: Aluminium yellow-black, O-Ring sealing
- End position adjustment: +/- 5°
- Shaft: AISI 1045, C45 electrophoresis protection
- Housing: GG25, GJL-250, epoxy coated 200µm RAL3020
- Corrosion protection: Standard class C3 acc. to EN ISO 12944, optional C4 and C5M available
- Ingress protection: IP67
- Standard temperature range: -20°C to +120°C
- Handwheel: Steel epoxy coated 60µm RAL 9005
- Application: Robust design for outdoor installation, weatherproof
- Standard design for Pmax 16 bar up to DN 150,
- Pmax 10 bar DN 200 - 500, Pmax 6 bar DN 600 to DN 1200 for water at 20°C in combination with seal EPDM (M01) or NBR (M07)



DN [mm]	D	L	Type	E4	H4	Y4	L4	B	Kg	
25	1"	68	33	KGG07-150/150	150	204.5	265	158	118	4.1
32	1¼"	68	33	KGG07-150/150	150	204.5	265	158	118	4.1
40	1½"	76	33	KGG07-150/150	150	212	268	158	118	4.2
50	2"	100	43	KGG07-150/150	150	222	283	158	118	5
65	2½"	108	46	KGG07-150/150	150	237	305	158	118	5.3
80	3"	124	46	KGG07-150/150	150	243	337	158	118	5.8
100	4"	147	52	KGG07-150/150	150	267	373	158	118	6.6
125	5"	180	56	KGG07-150/150	150	282	408	158	118	8.8
150	6"	206	56	KGG07-150/150	150	295	427	158	118	9.9
200	8"	257	60	KGG10-330/150	150	329	499	217	110	15.6
250	10"	324	68	KGG10-330/150	150	386	596	217	113	24.9
300	12"	376	78	KGG10-500/200	200	437	676	217	113	34.4
350	14"	422	78	KGG10-500/250	250	492	755	247	128	40.4
400	16"	480	102	KGG12-1000/400	400	621	929	297	157	67
450	18"	536	114	KGG14-2000/600	600	723	1063	425	189	98.3
500	20"	593	127	KGG14-2000/800	800	875	1255	475	189	134.8
600	24"	690	154	KGG16-3250/700	700	892	1332	481	214	198
700	28"	780	165	KGG25-4500/600	600	916	1401	483	195	282.1
750	30"	836	190	KGG25-4500/600	600	946	1476	483	195	324.1
800	32"	902	190	KGG25-7000/400	400	885	1450	397	272	388.8
900	36"	1010	203	KGG25-7000/600	600	1050	1660	537	295	503.4
1000	40"	1116	216	KGG25-9000/600	600	1132	1807	550	305	635.1
1100	44"	1215	216	KGG25-9000/600	600	1177	1910	565	305	769.9
1200	48"	1334	254	KGG30-12500/700	700	1284	2111	605	352	1032.8

Standard design for Pmax 16 bar to DN 150, Pmax 10 bar DN 200 - 500, Pmax 6 bar DN 600 - 1200, for water at 20°C in combination with seal EPDM (M01) or NBR (M07).

On request, we will also be pleased to work out the gear allocation for larger nominal diameters or for your specific operating conditions.