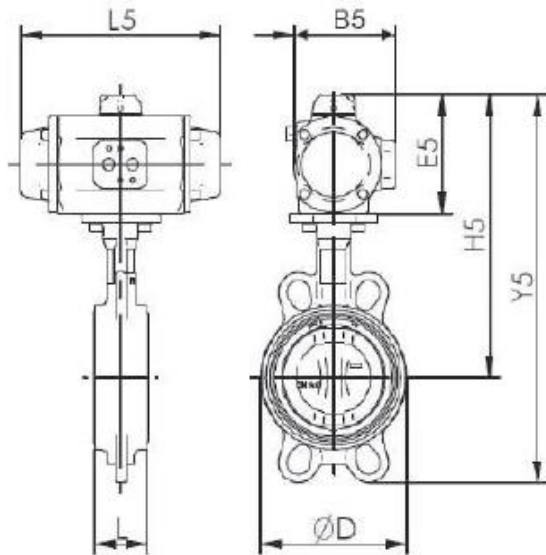


WEY BUTTERFLY VALVES TW20 WITH PNEUMATIC ACTUATOR

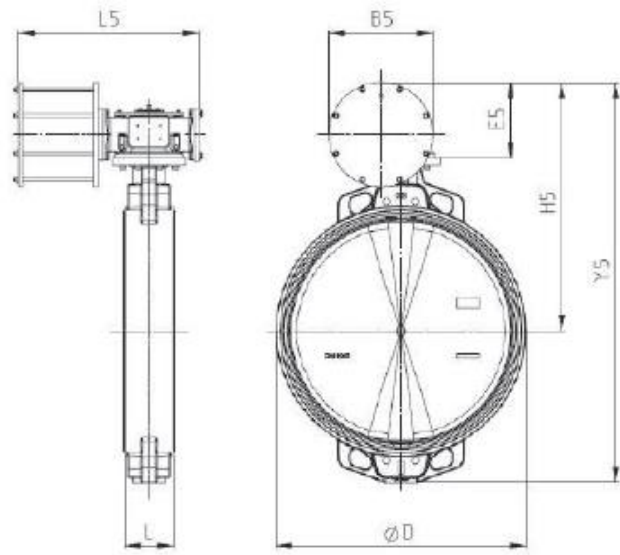
Dimensions

9.1.4.0

Pneumatic actuator double-acting



TW 20 with pneumatic actuator
type W-RP2020 DA20 - 4000



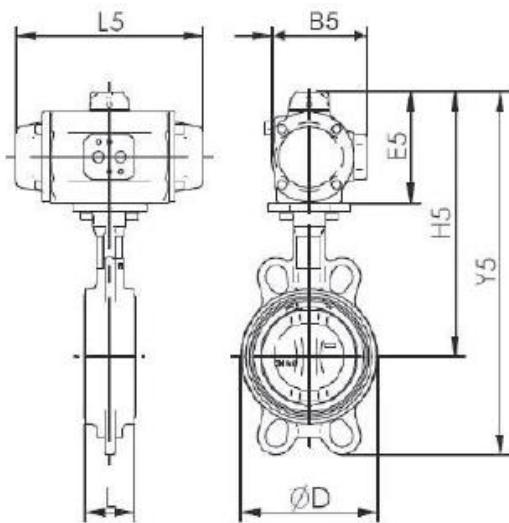
TW 20 with pneumatic actuator
type W-SY2020 DA25350 - 30450

DN [mm]	D	L	Type	L5	B5	E5	H5	Y5	Kg
25 1"	68	33	DA20	145	76	96	217	277	3.1
32 1¼"	68	33	DA20	145	76	96	217	277	3.1
40 1½"	76	33	DA20	145	76	96	224.5	280	3.2
50 2"	100	43	DA20	145	76	96	234.5	296	4
65 2½"	108	46	DA40	158	91	115	269	334	5
80 3"	124	46	DA40	158	91	115	274.5	368	5.5
100 4"	147	52	DA80	177	110	137	320.5	426	7.2
125 5"	180	56	DA130	196	120	146	345	471	10.2
150 6"	206	56	DA130	196	120	146	358	490	11.3
200 8"	257	60	DA200	225	132	165	406	576	18.6
250 10"	324	68	DA300	273	151	182	481	690.5	29
300 12"	376	78	DA500	304	172	199	507	746	45.1
350 14"	422	78	DA850	363	191	221	560	823	52.3
400 16"	480	102	DA1200	439	209	249	629	937	90.3
450 18"	536	114	DA2100	516	275	313	693	1033	130.1
500 20"	593	127	DA2100	516	275	313	745	1125	164.6
600 24"	690	154	DA2500	518	356	383	877	1317	241.4
700 28"	780	165	DA2500	518	356	383	968	1453	335.6
750 30"	836	190	DA4000	626	415	434	1049	1579	437.5
800 32"	902	190	DA4000	626	415	434	1089	1654	498.1
900 36"	1010	203	DA25350	804	415	319.5	1014.5	1624.5	655.3
1000 40"	1116	216	DA25400	804	465	344.5	1014.5	1789.5	792
1100 44"	1215	216	DA25400	804	465	369.5	1184.5	1917.5	938.9
1200 48"	1334	254	DA30450	992	516	397	1272	2099	1295.8

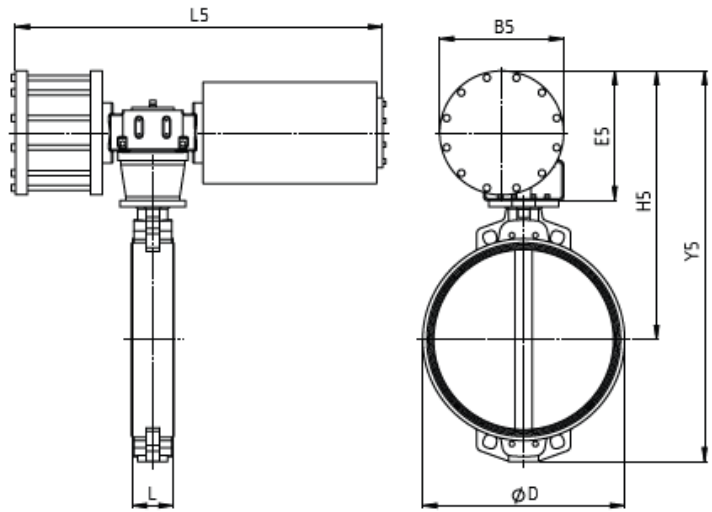
Standard design for Pmax 16 bar to DN 150, Pmax 10 bar DN 200 - 500, Pmax 6 bar DN 600 - 1200, for water at 20°C in combination with seal EPDM (M01) or NBR (M07).

Dimensions mm. All information for reference only. Modifications reserved.

Pneumatic actuator single-acting



TW 20 with pneumatic actuator
type W-RP2020 SR40 - 4000



TW 20 with pneumatic actuator
type W-SY2020 SR25350 - 30450

DN [mm]		D	L	Type	L5	B5	E5	H5	Y5	Kg
25	1"	68	33	SR40-14	195	91	115	236	296	4
32	1¼"	68	33	SR40-14	195	91	115	236	296	4
40	1½"	76	33	SR40-14	195	91	115	243	299	4.1
50	2"	100	43	SR80-14	217	111	137	275	337	6.3
65	2½"	108	46	SR80-14	217	111	137	290	359	6.6
80	3"	124	46	SR80-14	217	111	137	296	390	7.1
100	4"	147	52	SR200-14	299	132	165	346	452	14.2
125	5"	180	56	SR300-14	349	153	182	380.5	507	17.8
150	6"	206	56	SR300-14	349	153	182	391	524	18.4
200	8"	257	60	SR500-14	397	173	199	440	610	26.8
250	10"	324	68	SR1200-14	560	213	249	532	742	55.1
300	12"	376	78	SR1200-14	560	213	249	557	797	64.5
350	14"	422	78	SR1750-14	601	243	360	699	962	108
400	16"	480	102	SR2100-14	702	277	413	793	1101	166.4
450	18"	536	114	SR4000-14	940	415	504	885	1225	269.8
500	20"	593	127	SR16350-6	1282	415	376	808	1188	415.7
600	24"	690	154	SR16350-6	1282	415	406	900	1340	475.1
700	28"	780	165	SR25400-6	1530	456	540	1100	1558	674.6
750	30"	836	190	SR25400-6	1530	456	540	1130	1660	717.6
800	32"	902	190	SR30450-6	1880	516	597	1227	1792	1049.6
900	36"	1010	203	SR30550-6	1872	620	649	1344	1954	1318
1000	40"	1116	216	SR35550-6	2353	620	737	1507	2182	1755.3
1100	44"	1215	216	SR35550-6	2353	620	737	1552	2285	1886.3
1200	48"	1334	254	SR35600-6	2355	670	762	1637	2464	2399

Standard design for Pmax 16 bar to DN 150, Pmax 10 bar DN 200 - 500, Pmax 6 bar DN 600 - 1200, for water at 20°C in combination with seal EPDM (M01) or NBR (M07).

On request, we will be pleased to work out the actuator allocation for your specific operating conditions.