

WEY ECCENTRIC BUTTERFLY VALVE TZ 01-4 WITH WORM GEAR WK

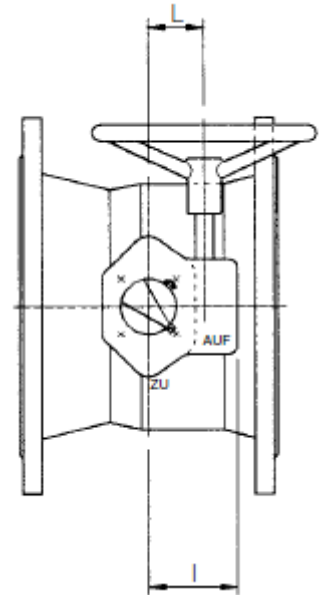
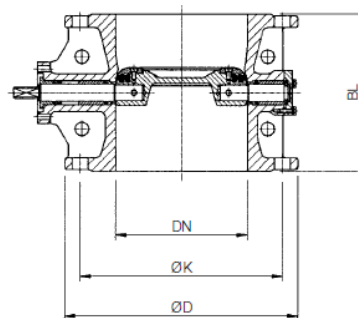
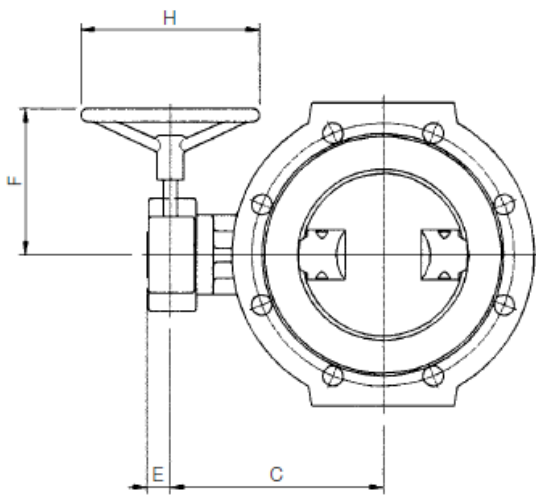


Data sheet

4.1.40

Standard construction

- Body: Ductile Iron EN-GJS-400-15
- Disc: Ductile Iron EN-GJS-400-15
- Corrosion protection: Body inside with enamel finish and outside with a cermet and top coat RAL 5015.
- Shaft: 1.4057
- Bearing: 2.1090
- Seal: EPDM
- Actuation: Handwheel/Worm Gear
- Nominal pressure: 10/16 bar
- Flange drilling EN 1092 / ISO 7005
- Face-to-face EN 558 / ISO 5752 part 14
- Actuating flange: acc. to ISO 5211
- Test acc. EN 12266-1, rate A
- Size DN 200 and larger include flange footing



Nominal pressure PN max. 10 bar, flange drilling PN 10

DN	D	K	BL	C	E	F	H	I	L	Screws	Actuating Flange	Gear	Turns to close	Weight
100	220	180	190	174	35	165	200	68	44	8 x M16	F07	Q200	10.0	22 kg
125	250	210	200	209	35	165	200	68	44	8 x M16	F07	Q200	10.0	34 kg
150	285	240	210	214	35	165	200	68	44	8 x M20	F07	Q200	10.0	43 kg
200	340	295	230	239	35	165	200	68	44	8 x M20	F07	Q200	10.0	48 kg
250	400	350	250	278	48	280	300	115	69	12 x M20	F10	Q800	10.0	76 kg
300	445	400	270	307	48	280	300	115	69	12 x M20	F10	Q800	10.0	89 kg
350	505	460	290	338	48	280	300	115	69	16 x M20	F12	Q800	10.0	119 kg
400	565	515	310	405	52	264	400	123	84	16 x M24	F12	Q1500	10.5	174 kg
500	670	620	350	455	52	278	500	123	84	20 x M24	F14	Q1500	10.5	290 kg
600	780	725	390	559	69	299	400	163	118	20 x M27	F16	Q3000	15.0	389 kg

Nominal pressure PN max. 16 bar, flange drilling PN 16

DN	D	K	BL	C	E	F	H	I	L	Screws	Actuating Flange	Gear	Turns to close	Weight
100	220	180	190	174	35	165	200	68	44	8 x M16	F07	Q200	10.0	22 kg
125	250	210	200	209	35	165	200	68	44	8 x M16	F07	Q200	10.0	34 kg
150	285	240	210	214	35	165	200	68	44	8 x M20	F07	Q200	10.0	43 kg
200	340	295	230	244	41	215	200	82	53	12 x M20	F07	Q400	11.0	48 kg
250	400	355	250	278	48	280	300	115	69	12 x M24	F10	Q800	10.0	76 kg
300	455	410	270	307	48	280	300	115	69	12 x M24	F12	Q800	10.0	90 kg
350	520	470	290	340	52	264	400	123	84	16 x M24	F12	Q1500	10.5	120 kg
400	580	525	310	405	52	278	500	123	84	16 x M27	F14	Q1500	10.5	179 kg
500	715	650	350	459	69	299	400	163	118	20 x M30	F14	Q3000	15.0	290 kg
600	840	770	390	565	73	344	400	186	138	20 x M33	F16	Q4000	18.0	389 kg

Large size on request