

# WEY ECCENTRIC BUTTERFLY VALVE TZ 01-5 WITH CROSS HEAD GEAR GK

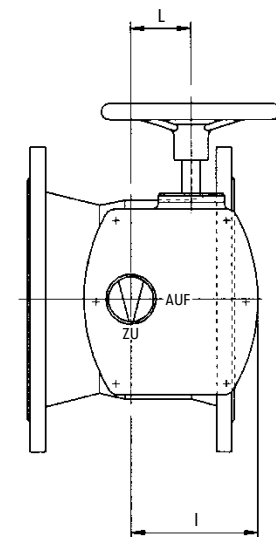
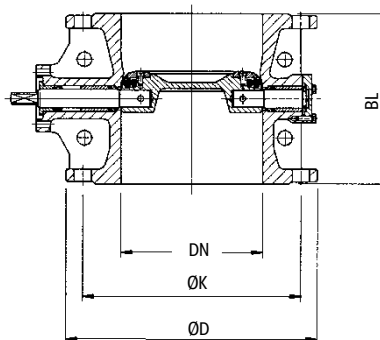
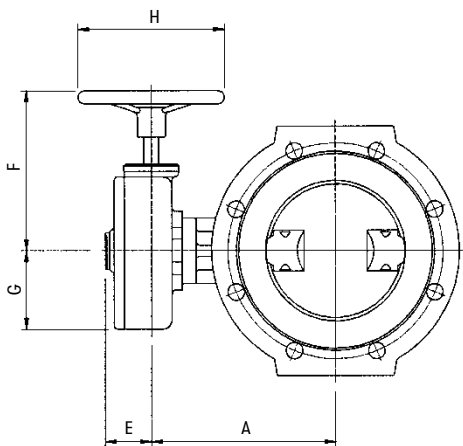


## Data sheet

4.1.50

### Standard construction

- Body: Ductile Iron EN-GJS-400-15
- Disc: Ductile Iron EN-GJS-400-15
- Corrosion protection: Body inside with enamel finish and outside with a cermet and top coat RAL 5015.
- Shaft: 1.4057
- Bearing: 2.1090
- Seal: EPDM
- Actuation: Handwheel/Cross Head Gear
- Nominal pressure: 10/16 bar
- Flange drilling EN 1092 / ISO 7005
- Face-to-face EN 558 / ISO 5752 part 14
- Actuating flange: acc. to ISO 5211
- Test acc. EN 12266-1, rate A
- Size DN 200 and larger include flange footing



**Nominal pressure PN max 10 bar, flange drilling PN 10**

DN	D	K	BL	A	E	H	G	F	I	L	Screws	Actuating Flange	Gear GK	Turns to close	Weight
100	220	180	190	172	63	200	107	233	141	67	8 x M16	F07	1	24	30 kg
125	250	210	200	222	63	200	107	233	141	67	8 x M16	F07	1	24	42 kg
150	285	240	210	227	63	200	107	233	141	67	8 x M20	F07	1	24	51 kg
200	340	295	230	252	63	200	107	233	141	67	8 x M20	F07	1	24	55 kg
250	400	350	250	277	63	200	107	233	141	67	12 x M20	F10	1	24	75 kg
300	445	400	270	306	63	200	107	233	141	67	12 x M20	F10	1	24	88 kg
350	505	460	290	360	85	300	161	296	198	99	16 x M20	F12	2	27	144 kg
400	565	515	310	425	85	300	161	296	198	99	16 x M24	F12	2	27	199 kg
500	670	620	350	475	85	300	161	296	198	99	20 x M24	F14	2	27	310 kg
600	780	725	390	575	85	300	161	296	198	99	20 x M27	F16	2	27	400 kg

**Nominal pressure PN max 16 bar, flange drilling PN 16**

DN	D	K	BL	A	E	H	G	F	I	L	Screws	Actuating Flange	Gear GK	Turns to close	Weight
100	220	180	190	172	63	200	107	233	141	67	8 x M16	F07	1	24	30 kg
125	250	210	200	222	63	200	107	233	141	67	8 x M16	F07	1	24	42 kg
150	285	240	210	227	63	200	107	233	141	67	8 x M20	F07	1	24	51 kg
200	340	295	230	252	63	200	107	233	141	67	12 x M20	F07	1	24	55 kg
250	400	355	252	277	63	200	107	233	141	67	12 x M24	F10	1	24	75 kg
300	455	410	277	306	85	300	161	296	198	99	12 x M24	F12	2	27	88 kg
350	520	470	306	360	85	300	161	296	198	99	16 x M24	F12	2	27	144 kg
400	580	525	360	425	85	300	161	296	198	99	16 x M27	F14	2	27	199 kg
500	715	650	425	475	85	300	161	296	198	99	20 x M30	F14	2	27	310 kg
600	840	770	475	575	85	300	161	296	198	99	20 x M33	F16	2	27	400 kg

\* max. 10 bar

Large size on request

\*\* max. 16 bar