

WEY ECCENTRIC BUTTERFLY VALVE TZ 01-9 WITH CROSS HEAD GEAR GK UNDERGROUND



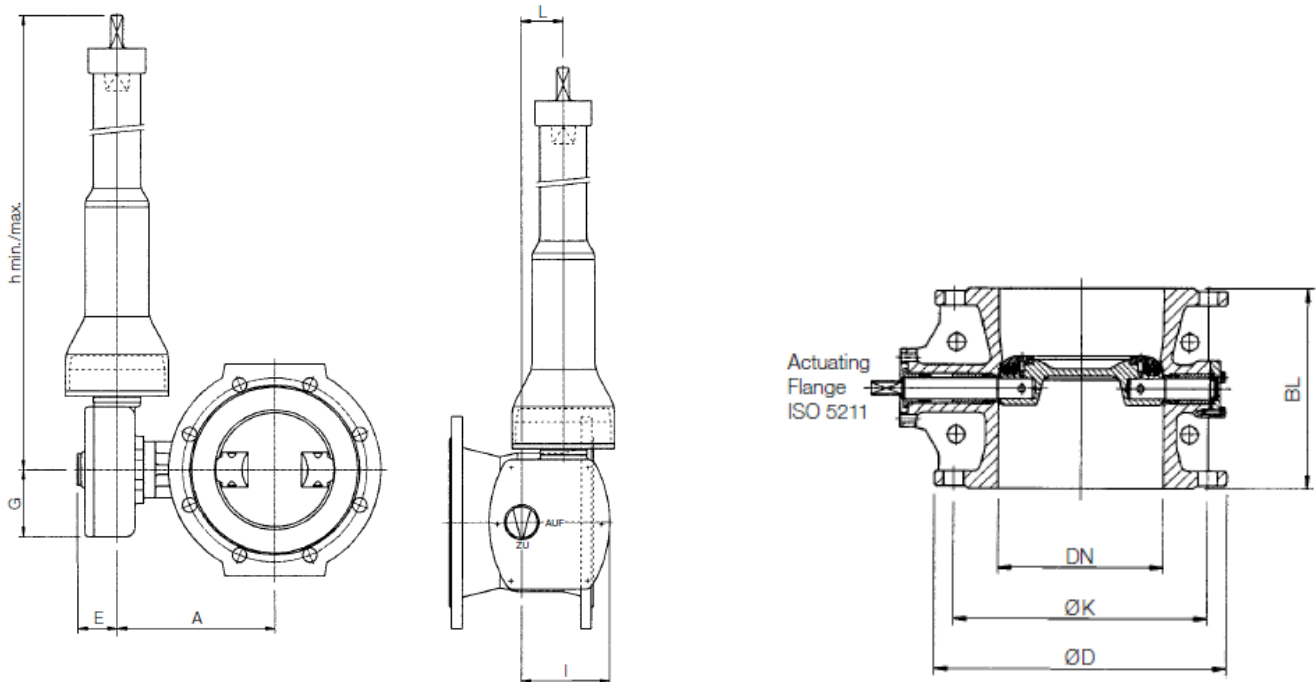
Data sheet

4.1.90

Standard construction

- Body: Ductile Iron EN-GJS-400-15
- Disc: Ductile Iron EN-GJS-400-15
- Corrosion protection: Body inside with enamel finish and outside with a cermet and bituminous heavy-bodied coat
- (black).
- Shaft: 1.4057
- Bearing: 2.1090
- Seal: EPDM
- Actuation: Spindle extension and square on Cross Head Gear
- Underground tube in PVC
- Underground depth 1500 mm
- Nominal pressure: 10/16 bar
- Flange drilling PN 10/16 EN 1092 / ISO 7005
- Face-to-face: EN 558 / ISO 5752 part 14
- Actuating flange: acc. ISO 5211
- Test acc. EN 12266-1, rate A
- Size DN 200 and larger include flange footing





Nominal pressure PN max. 10 bar, flange drilling PN 10

DN	D	K	BL	A	E	G	h min.	h. max.	I	L	Screws	Actuating Flange	Gear GK	Turns to close	Weight
100	220	180	190	172	63	107	700	1700	141	67	8 x M16	F07	1	24	39 kg
125	250	210	200	222	63	107	700	1700	141	67	8 x M16	F07	1	24	51 kg
150	285	240	210	227	63	107	700	1700	141	67	8 x M20	F07	1	24	60 kg
200	340	295	230	252	63	107	700	1700	141	67	8 x M20	F07	1	24	64 kg
250	400	350	250	277	63	107	700	1700	141	67	12 x M20	F10	1	24	84 kg
300	455	400	270	306	63	107	700	1700	141	67	12 x M20	F10	1	24	97 kg
350	505	460	290	360	85	161	750	1750	198	99	16 x M20	F12	2	27	153 kg
400	565	515	310	425	85	161	750	1750	198	99	16 x M24	F12	2	27	208 kg
500	670	620	350	475	85	161	750	1750	198	99	20 x M24	F14	2	27	319 kg
600**	780	725	390	575	85	161	750	1750	198	99	20 x M27	F16	2	27	409 kg

** max. 6 bar

Large size on request

Nominal pressure PN max. 16 bar, flange drilling PN 16

DN	D	K	BL	A	E	G	h min.	h. max.	I	L	Screws	Actuating Flange	Gear GK	Turns to close	Weight
100	220	180	190	172	63	107	700	1700	141	67	8 x M16	F07	1	24	39 kg
125	250	210	200	222	63	107	700	1700	141	67	8 x M16	F07	1	24	51 kg
150	285	240	210	227	63	107	700	1700	141	67	8 x M20	F07	1	24	60 kg
200	340	295	230	252	63	107	700	1700	141	67	12 x M20	F07	1	24	64 kg
250	400	355	250	277	63	107	700	1700	141	67	12 x M24	F10	1	24	84 kg
300	455	410	270	306	85	161	750	1750	141	67	12 x M24	F12	2	27	123 kg
350	520	470	290	360	85	161	750	1750	198	99	16 x M24	F12	2	27	153 kg
400	580	525	310	425	85	161	750	1750	198	99	16 x M27	F14	2	27	208 kg
500	715	650	350	475	85	161	750	1750	198	99	20 x M30	F14	2	27	319 kg
600**	840	770	390	575	85	161	750	1750	198	99	20 x M33	F16	2	27	409 kg

* max. 10 bar

Large size on request