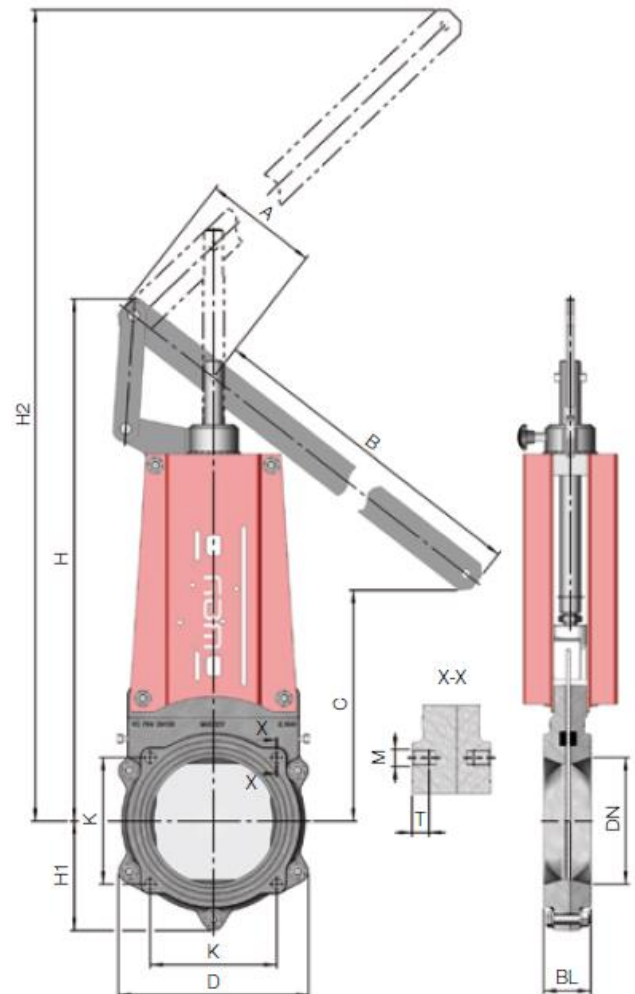


DN 150–200 Standard construction

- Operated by: Handlever
- Flange drilling: DN 150 150/150 4 x M12
DN 200 180/180 4 x M12
- Nominal pressure PN: DN 150 4 bar
DN 200 2.5 bar
- Operating pressure: 1 bar
- Face to Face: EN 558 / ISO 5752 Series 20 (DIN 3202 K1)
- Test acc.: EN 12266-1, rate A
- Materials acc. to: Data sheet 2.0.13
- Feature: Bi-directional bubble tight shut-off.



DN	BL	D	K	M	T	Bolts	H	H1	H2	A	B	C	Weight
150	56	226	150	M12	12	4 pcs.	526	130	1147	136	796	28	24 kg
200	60	308	180	M12	12	4 pcs.	727	156	1382	176	874	133	33 kg