

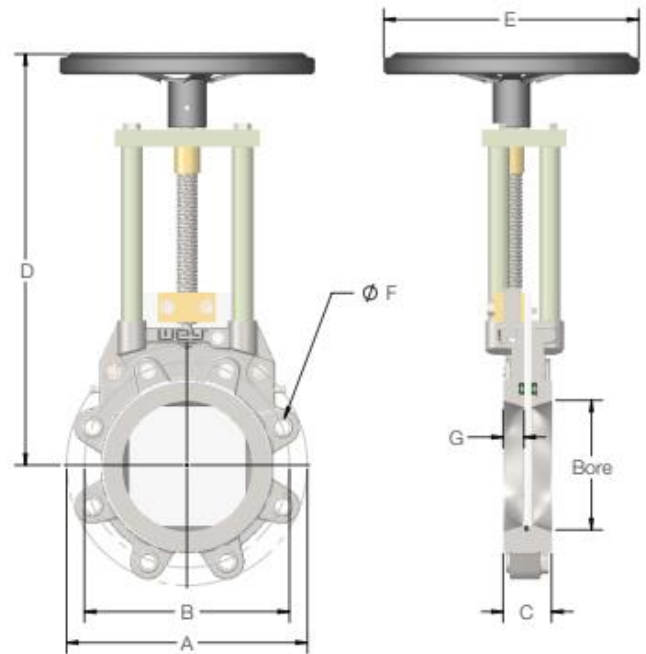
WEY KNIFE GATE VALVE VL HANDWHEEL OPERATED

Data sheet



Size 2"-24" Standard Configuration

- Design: Full Lug
- Materials: Solid Cast 316 Stainless Steel Body
316 Hard Chrome Coated Gate
- Solid Steel Heavy Duty 4-Post Topworks
- Flange Drilling: ANSI 150
- Face-to-Face: TAPPI & MSS-SP81
- Pressure Rating: Size 2"-12" 150 psi Shut-off
Size 14"-24" 90 psi Shut-off
Higher Pressure Ratings available
- Suitable for Dead-end Service



Bore	A	B	C	D	E	F	G	H	Bolts	⊕	Op. Pressure	Weight
2"	6.00	4.75	1.87	10.90	6.30	5/8" - 11	-	-	4 pcs.	-	150 psi	14 lbs
3"	7.50	6.00	2.00	12.44	7.87	5/8" - 11	-	-	4 pcs.	-	150 psi	21 lbs
4"	9.00	7.50	2.00	15.47	7.87	5/8" - 11	0.86	-	8 pcs.	2	150 psi	30 lbs
6"	11.00	9.50	2.25	19.57	11.81	3/4" - 10	0.94	-	8 pcs.	2	150 psi	53 lbs
8"	13.50	11.75	2.75	22.72	11.81	3/4" - 10	1.12	-	8 pcs.	2	150 psi	74 lbs
10"	16.00	14.25	2.75	26.65	11.81	7/8" - 9	0.75	-	12 pcs.	4	150 psi	102 lbs
12"	19.00	17.00	3.00	29.80	15.75	7/8" - 9	0.83	-	12 pcs.	4	150 psi	153 lbs
14"	21.00	18.50	3.00	33.30	15.75	1 - 8"	0.78	-	12 pcs.	4	90 psi	214 lbs
16"	23.50	21.25	3.50	36.61	15.75	1 - 8"	0.94	-	12 pcs.	4	90 psi	301 lbs
18"	25.00	22.75	3.50	42.32	19.68	1 - 1/8" - 7	0.98	-	16 pcs.	6	90 psi	425 lbs
20"	27.50	25.00	4.50	45.61	19.68	1 - 1/8" - 7	1.37	-	20 pcs.	6	90 psi	583 lbs
24"	32.00	29.50	4.50	54.17	24.80	1 - 1/8" - 7	1.22	-	20 pcs.	6	90 psi	767 lbs

⊕ = Number of Blind Tapped Holes in Chest