

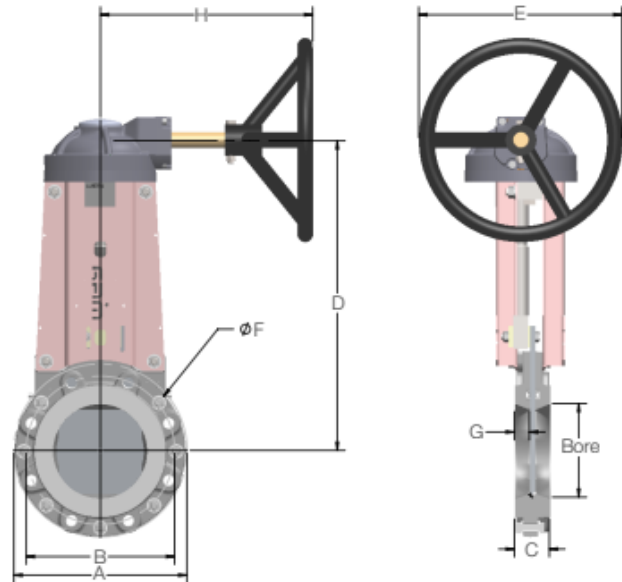
WEY KNIFE GATE VALVE VM BEVEL GEAR OPERATED

Data sheet



Size 6"-24" Standard Configuration

- Design: Full Lug
- Materials: Solid Cast Ductile Iron Body
304 Stainless Steel Gate
- Solid Steel Heavy Duty Yoke Topworks (Size 6"-16")
Solid Steel Heavy Duty 4-Post Topworks (Size 18"-24")
- Flange Drilling: ANSI 150
- Face-to-Face: TAPPI & MSS-SP81
- Pressure Rating: Size 6"-24" 150 psi Shut-off
- Suitable for Dead-end Service
- Note:
Bevel Gears (3:1) are recommended for 6"-10" valves
Bevel Gears (4:1) are recommended for 12"-20" valves
Bevel Gears (6:1) are recommended for 24" and larger valves
Consult factory for special applications



Bore	A	B	C	D	E	F	G	H	Bolts	⊕	Op. Pressure	Weight
6"	11.00	9.50	2.25	19.84	12"	3/4" - 10	0.82	11.50	8 pcs.	2	150 psi	84 lbs
8"	13.50	11.75	2.75	22.99	12"	3/4" - 10	1.20	11.50	8 pcs.	2	150 psi	108 lbs
10"	16.00	14.25	2.75	26.69	16"	7/8" - 9	0.66	11.50	12 pcs.	4	150 psi	153 lbs
12"	19.00	17.00	3.00	30.80	16"	7/8" - 9	0.78	14.75	12 pcs.	4	150 psi	277 lbs
14"	21.00	18.50	3.00	35.21	18"	1" - 8	0.51	14.75	12 pcs.	4	150 psi	354 lbs
16"	23.50	21.25	3.50	38.48	18"	1" - 8	0.78	14.75	16 pcs.	4	150 psi	438 lbs
18"*	25.00	22.75	3.50	45.76	24"	1 - 1/8" - 7	0.59	16.75	16 pcs.	6	150 psi	522 lbs
20"*	27.50	25.00	4.50	48.16	24"	1 - 1/8" - 7	0.98	16.75	20 pcs.	8	150 psi	743 lbs
24"*	32.00	29.50	4.50	56.29	24"	1 - 1/4" - 7	0.86	23.50	20 pcs.	8	150 psi	1168 lbs

* = Rising Stem

⊕ = Number of Blind Tapped Holes in Chest