

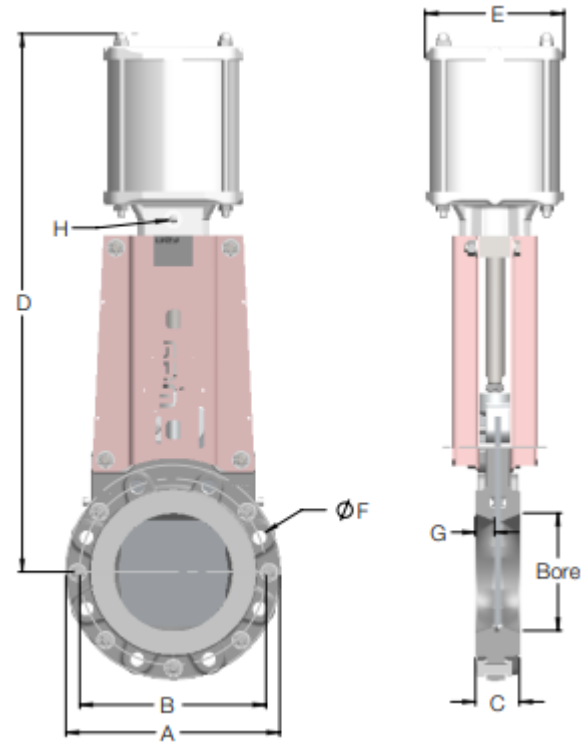
WEY KNIFE GATE VALVE VM CYLINDER OPERATED

Data sheet



Size 2"-24" Standard Configuration

- Design: Full Lug
- Materials: Solid Cast Ductile Iron Body
304 Stainless Steel Gate
- Solid Steel Heavy Duty Yoke Topworks (Size 2" -16")
Solid Steel Heavy Duty 4-Post Topworks (Size 18" -24")
- Flange Drilling: ANSI 150
- Face-to-Face: TAPPI & MSS-SP81
- Pressure Rating: Size 2" -24" 150 psi Shut-off
- Suitable for Dead-end Service
- Optional Cylinder Sizes Available



Bore	A	B	C	D	E	F	G	H	Bolts	⊕	Op. Pressure	Weight
2"	6.00	4.75	1.87	16.18	4"	5/8" - 11	0.74	1/4"	4 pcs.	-	150 psi	20 lbs
3"	7.50	6.00	2.00	18.66	4"	5/8" - 11	0.78	1/4"	4 pcs.	-	150 psi	29 lbs
4"	9.00	7.50	2.00	21.06	4"	5/8" - 11	0.78	1/4"	8 pcs.	2	150 psi	40 lbs
6"	11.00	9.50	2.25	27.48	6"	3/4" - 10	0.82	1/4"	8 pcs.	2	150 psi	75 lbs
8"	13.50	11.75	2.75	32.59	6"	3/4" - 10	1.10	1/4"	8 pcs.	2	150 psi	97 lbs
10"	16.00	14.25	2.75	39.72	8"	7/8" - 9	0.66	3/8"	12 pcs.	4	150 psi	145 lbs
12"	19.00	17.00	3.00	46.02	10"	7/8" - 9	0.78	3/8"	12 pcs.	4	150 psi	247 lbs
14"	21.00	18.50	3.00	52.48	10"	1" - 8	0.51	3/8"	12 pcs.	4	150 psi	342 lbs
16"	23.50	21.25	3.50	57.71	12"	1" - 8	0.78	3/8"	16 pcs.	4	150 psi	428 lbs
18"	25.00	22.75	3.50	65.51	12"	1 - 1/8" - 7	0.56	3/8"	16 pcs.	6	150 psi	756 lbs
20"	27.50	25.00	4.50	71.53	16"	1 - 1/8" - 7	0.98	3/4"	20 pcs.	6	150 psi	992 lbs
24"	32.00	29.50	4.50	84.05	18"	1 - 1/4" - 7	0.98	3/4"	20 pcs.	6	150 psi	1442 lbs

⊕ = Number of Blind Tapped Holes in Chest