

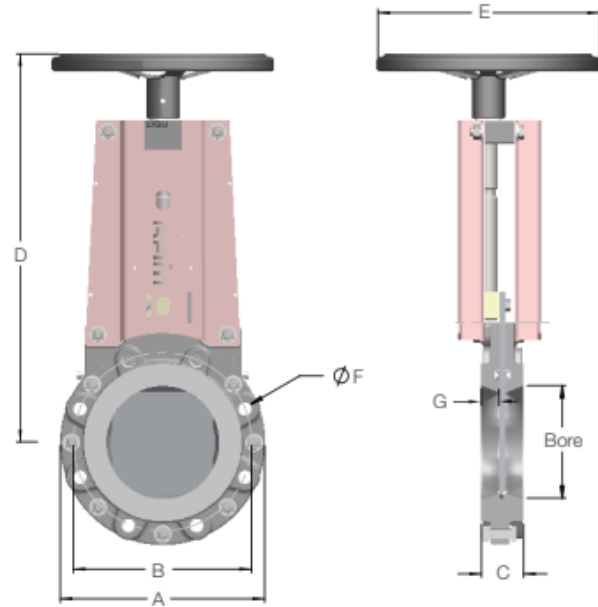
# WEY KNIFE GATE VALVE VM HANDWHEEL OPERATED

Data sheet



## Size 2"-16" Standard Configuration

- Design: Full Lug
- Materials: Solid Cast Ductile Iron Body  
304 Stainless Steel Gate
- Solid Steel Heavy Duty Yoke Topworks
- Flange Drilling: ANSI 150
- Face-to-Face: TAPPI & MSS-SP81
- Pressure Rating:
- Larger Sizes Available on Request
- Size 2"-16" 150 psi Shut-off
- Suitable for Dead-end Service



| Bore | A     | B     | C    | D     | E     | F         | G    | Bolts   | ⊕ | Op. Pressure | Weight  |
|------|-------|-------|------|-------|-------|-----------|------|---------|---|--------------|---------|
| 2"   | 6.00  | 4.75  | 1.87 | 12.91 | 5.90  | 5/8" – 11 | 0.74 | 4 pcs.  | - | 150 psi      | 16 lbs  |
| 3"   | 7.50  | 6.00  | 2.00 | 14.09 | 7.87  | 5/8" – 11 | 0.78 | 4 pcs.  | - | 150 psi      | 20 lbs  |
| 4"   | 9.00  | 7.50  | 2.00 | 16.18 | 7.87  | 5/8" – 11 | 0.78 | 8 pcs.  | 2 | 150 psi      | 27 lbs  |
| 6"   | 11.00 | 9.50  | 2.25 | 20.70 | 11.81 | 3/4" – 10 | 0.82 | 8 pcs.  | 2 | 150 psi      | 49 lbs  |
| 8"   | 13.50 | 11.75 | 2.75 | 23.85 | 11.81 | 3/4" – 10 | 1.10 | 8 pcs.  | 2 | 150 psi      | 64 lbs  |
| 10"  | 16.00 | 14.25 | 2.75 | 27.56 | 11.81 | 7/8" – 9  | 0.66 | 12 pcs. | 4 | 150 psi      | 88 lbs  |
| 12"  | 19.00 | 17.00 | 3.00 | 31.29 | 15.75 | 7/8" – 9  | 0.78 | 12 pcs. | 4 | 150 psi      | 143 lbs |
| 14"  | 21.00 | 18.50 | 3.00 | 35.71 | 19.68 | 1" – 8    | 0.51 | 12 pcs. | 4 | 150 psi      | 196 lbs |
| 16"  | 23.50 | 21.25 | 3.50 | 38.97 | 19.68 | 1" – 8    | 0.78 | 16 pcs. | 4 | 150 psi      | 253 lbs |

⊕ = Number of Blind Tapped Holes in Chest