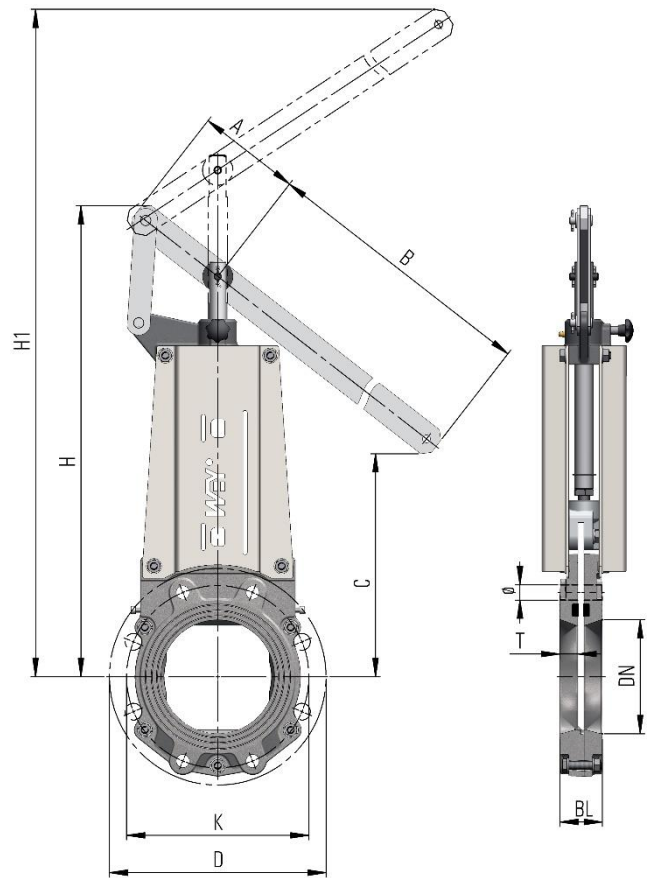


DN 50–200 Standard construction

- Material acc. to data sheet 2.0.13
- Body and upper construction with epoxy powder coating
- Stainless steel part without coating
- Flange drilling: PN 10/16 EN 1092 / ISO 7005
- Face-to-face: EN 558 / ISO 5752 part 20
- Nominal pressure PN: DN 50–200 4 bar
- Operating pressure: DN 50–125 1 bar
DN 150–200 1 bar
- For dead-end installation we recommend using steel-enforced rubber gasket
- Test acc. EN 12266-1, rate A



DN	D	K	BL	H	H ₁	A	B	C	Ø	T	Screws	⊕	⊕	Weight
50	165	125	43	376	478	108	277	276	M16	–	4 pcs.	–	4	8 kg
65 ¹	185	145	46	391	507	108	277	266	M16	18	8 pcs.	4	4	9 kg
80	200	160	46	409	599	108	382	223	M16	17	8 pcs.	4	4	10 kg
100	220	180	52	493	716	126	454	229	M16	20	8 pcs.	4	4	13 kg
125	250	210	56	536	824	126	454	214	M16	22	8 pcs.	4	4	15 kg
150	285	240	56	620	1147	136	796	57	M20	21	8 pcs.	4	4	25 kg
200	340	295	60	727	1390	176	874	144	M20	23	8 pcs.	4	4	35 kg

¹ DN 65 with 8 holes