

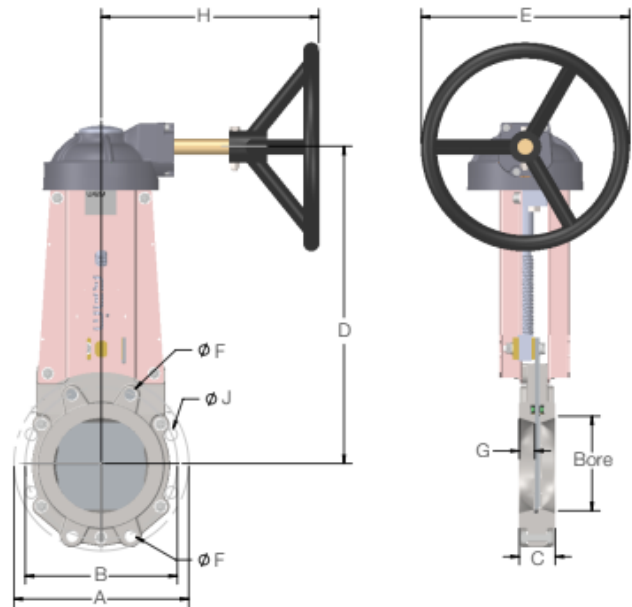
WEY KNIFE GATE VALVE VS BEVEL GEAR OPERATED

Data sheet



Size 6"-24" Standard Configuration

- Design: Semi Lugged
- Materials: Solid Cast 316 Stainless Steel Body
316 Hard Chrome Coated Gate
- Solid Steel Heavy Duty Yoke Topworks (Size 6"-16")
Solid Steel Heavy Duty 4-Post Topworks (Size 18"-24")
- Flange Drilling: ANSI 150
- Face-to-Face: TAPPI & MSS-SP81
- Pressure Rating: Size 6"-12" 150 psi Shut-off
Size 14"-24" 60 psi Shut-off
Higher Pressure Ratings available
- Larger Sizes Available on Request
- Suitable for Dead-end Service
- Note:
Bevel Gears (3:1) are recommended for 6"-10" valves
Bevel Gears (4:1) are recommended for 12"-20" valves
Bevel Gears (6:1) are recommended for 24" and larger valves
Consult factory for special applications



Bore	A	B	C	D	E	F	G	H	Bolts	J	⊕	Op. Pressure	Weight
6"	11.00	9.50	2.25	19.80	12"	3/4" - 10	0.94	11.50	8 pcs.	4	4	150 psi	88 lbs
8"	13.50	11.75	2.75	22.96	12"	3/4" - 10	1.12	11.50	8 pcs.	4	4	150 psi	110 lbs
10"	16.00	14.25	2.75	26.52	16"	7/8" - 9	0.75	11.50	12 pcs.	6	6	150 psi	153 lbs
12"	19.00	17.00	3.00	31.20	16"	7/8" - 9	0.83	14.75	12 pcs.	6	6	150 psi	249 lbs
14"	21.00	18.50	3.00	34.18	18"	1" - 8	0.78	14.75	12 pcs.	6	6	60 psi	358 lbs
16"	23.50	21.25	3.50	38.86	18"	1" - 8	0.94	14.75	12 pcs.	10	6	60 psi	449 lbs
18"	25.00	22.75	3.50	41.65	24"	1 - 1/8" - 7	0.98	14.75	16 pcs.	8	8	60 psi	572 lbs
20"	27.50	25.00	4.50	44.27	24"	1 - 1/8" - 7	1.37	16.75	20 pcs.	10	10	60 psi	747 lbs
24"	32.00	29.50	4.50	56.42	24"	1 - 1/4" - 7	1.22	23.50	20 pcs.	10	10	60 psi	1062 lbs

J = Number of Flange Bolts Outside of Body

⊕ = Number of Blind Tapped Holes in Chest