

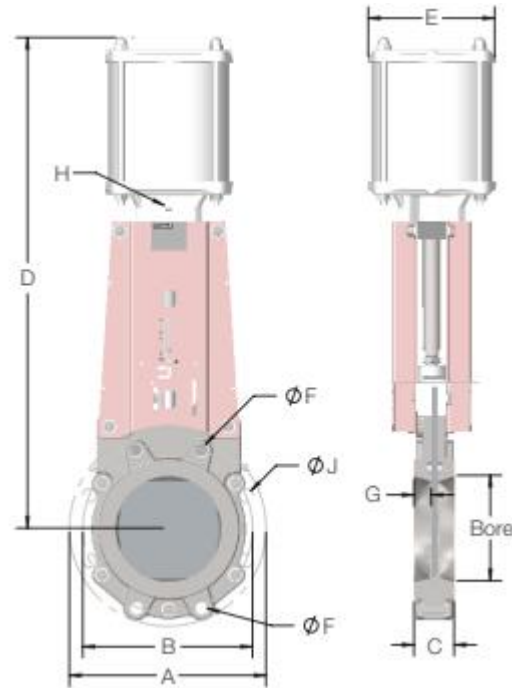
WEY KNIFE GATE VALVE VS CYLINDER OPERATED



Data sheet

Size 2"-24" Standard Configuration

- Design: Semi Lugged
- Materials: Solid Cast 316 Stainless Steel Body
316 Hard Chrome Coated Gate
- Solid Steel Heavy Duty Yoke Topworks (Size 2"-16")
Solid Steel Heavy Duty 4-Post Topworks (Size 18"-24")
- Flange Drilling: ANSI 150
- Face-to-Face: TAPPI & MSS-SP81
- Air connection: ISO 228-1 (Dim. "H")
(Option NPT)
- Pressure Rating: Size 2"-12" 150 psi Shut-off
Size 14"-24" 60 psi Shut-off
Higher Pressure Ratings available
- Larger Sizes Available on Request
- Suitable for Dead-end Service
- Optional Cylinder Sizes available



Bore	A	B	C	D	E	F	G	H ¹	Bolts	J	⊕	Op. Pressure	Weight
2"	6.00	4.75	1.87	16.18	4"	5/8" - 11	-	G1/4"	4 pcs.	-	4	150 psi	18 lbs
3"	7.50	6.00	2.00	17.85	4"	5/8" - 11	-	G1/4"	4 pcs.	-	4	150 psi	22 lbs
4"	9.00	7.50	2.00	21.06	4"	5/8" - 11	0.86	G1/4"	8 pcs.	4	4	150 psi	29 lbs
6"	11.00	9.50	2.25	27.48	6"	3/4" - 10	0.94	G1/4"	8 pcs.	4	4	150 psi	58 lbs
8"	13.50	11.75	2.75	32.59	8"	3/4" - 10	1.12	G1/4"	8 pcs.	4	4	150 psi	71 lbs
10"	16.00	14.25	2.75	39.56	10"	7/8" - 9	0.75	G1/2"	12 pcs.	6	6	150 psi	101 lbs
12"	19.00	17.00	3.00	44.76	10"	7/8" - 9	0.83	G1/2"	12 pcs.	6	6	150 psi	172 lbs
14"	21.00	18.50	3.00	52.28	10"	1" - 8	0.78	G1/2"	12 pcs.	6	6	60 psi	238 lbs
16"	23.50	21.25	3.50	57.48	12"	1" - 8	0.94	G1/2"	12 pcs.	10	6	60 psi	295 lbs
18"	25.00	22.75	3.50	62.90	12"	1 - 1/8" - 7	0.98	G1/2"	16 pcs.	8	8	60 psi	415 lbs
20"	27.50	25.00	4.50	72.37	16"	1 - 1/8" - 7	1.37	G3/4"	20 pcs.	10	10	60 psi	595 lbs
24"	32.00	29.50	4.50	84.50	16"	1 - 1/4" - 7	1.22	G3/4"	20 pcs.	10	10	60 psi	780 lbs

¹ NPT option

J = Number of Flange Bolts Outside of Body

⊕ = Number of Blind Tapped Holes in Chest