

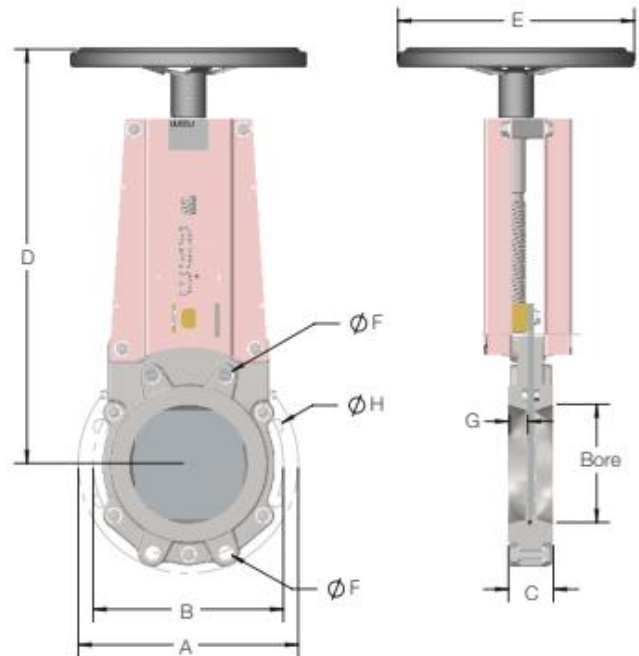
WEY KNIFE GATE VALVE VS HANDWHEEL OPERATED

Data sheet



Size 2"-16» Standard Configuration

- Design: Semi Lugged
- Materials: Solid Cast 316 Stainless Steel Body
316 Hard Chrome Coated Gate
- Solid Steel Heavy Duty Yoke Topworks
- Flange Drilling: ANSI 150
- Face-to-Face: TAPPI & MSS-SP81
- Pressure Rating: Size 2"-12" 150 psi Shut-off
Size 14"-16" 60 psi Shut-off
Higher Pressure Ratings available
- Larger Sizes Available on Request
- Suitable for Dead-end Service e



Bore	A	B	C	D	E	F	G	Bolts	H	⊕	Op. Pressure	Weight
2"	6.00	4.75	1.87	12.91	4"	5/8" - 11	-	4 pcs.	-	-	150 psi	16 lbs
3"	7.50	6.00	2.00	14.09	4"	5/8" - 11	-	4 pcs.	-	-	150 psi	20 lbs
4"	9.00	7.50	2.00	16.18	4"	5/8" - 11	0.80	8 pcs.	4	2	150 psi	27 lbs
6"	11.00	9.50	2.25	20.70	6"	3/4" - 10	0.87	8 pcs.	4	2	150 psi	49 lbs
8"	13.50	11.75	2.75	23.85	8"	3/4" - 10	1.12	8 pcs.	4	2	150 psi	64 lbs
10"	16.00	14.25	2.75	27.40	10"	7/8" - 9	0.75	12 pcs.	6	4	150 psi	88 lbs
12"	19.00	17.00	3.00	31.18	10"	7/8" - 9	0.83	12 pcs.	6	4	150 psi	143 lbs
14"	21.00	18.50	3.00	35.55	12"	1" - 8	0.78	12 pcs.	6	4	60 psi	196 lbs
16"	23.50	21.25	3.50	38.77	12"	1" - 8	0.90	16 pcs.	10	4	60 psi	253 lbs

H = Number of Flange Bolts Outside of Body

⊕ = Number of Blind Tapped Holes in Chest