

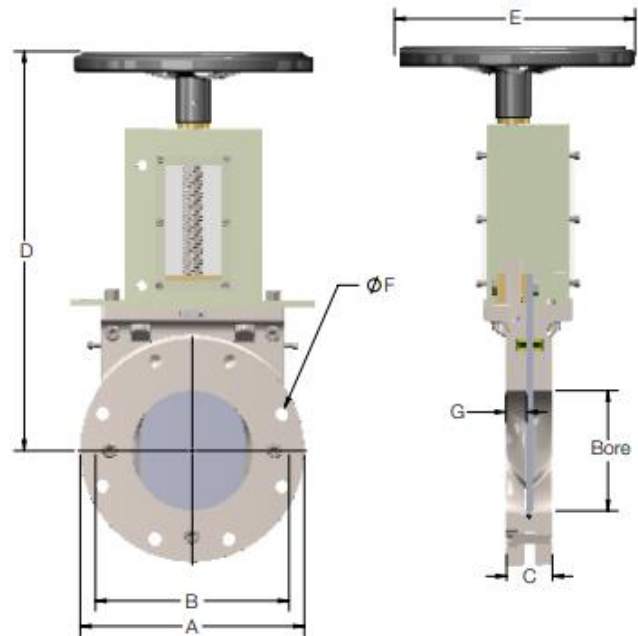
WEY KNIFE GATE VALVE WO HANDWHEEL OPERATED

Data sheet



Size 2"-24" Standard Configuration

- Design: Full Flange Body
- Materials: Solid Cast Body
Hardened 17.4 pH Gate
- Solid Steel Heavy Duty Bonnet Topworks
- Flange Drilling: ANSI 150
- Face-to-Face: TAPPI, MSS-SP81 & MSS-SP135
- Pressure Rating: Size 2"-24" 150 psi Shut-off
Higher Pressure Ratings available
- Suitable for Dead-end Service



Bore	A	B	C	D	E	F	G	Bolts	⊕	Op. Pressure	Weight
2"	6.00	4.75	2.00*	10.77	6.30	5/8" - 11	-	4 pcs.	-	150 psi	19 lbs
3"	7.50	6.00	2.00	13.70	7.87	5/8" - 11	-	4 pcs.	-	150 psi	38 lbs
4"	9.00	7.50	2.00	15.35	7.87	5/8" - 11	0.86	8 pcs.	2	150 psi	52 lbs
6"	11.00	9.50	2.25	19.33	11.81	3/4" - 10	0.94	8 pcs.	2	150 psi	100 lbs
8"	13.50	11.75	2.75	22.72	11.81	3/4" - 10	1.12	8 pcs.	2	150 psi	155 lbs
10"	16.00	14.25	2.75	25.70	11.81	7/8" - 9	0.75	12 pcs.	4	150 psi	210 lbs
12"	19.00	17.00	3.00	30.81	15.75	7/8" - 9	0.83	12 pcs.	4	150 psi	300 lbs
14"	21.00	18.50	3.00	34.90	15.75	1" - 8	0.78	12 pcs.	4	90 psi	385 lbs
16"	23.50	21.25	3.50	39.34	15.75	1" - 8	0.94	12 pcs.	4	90 psi	500 lbs
18"	25.00	22.75	3.50	42.75	19.68	1 - 1/8" - 8	0.98	16 pcs.	6	90 psi	710 lbs
20"	27.50	25.00	4.50	45.87	19.68	1 - 1/8" - 8	1.37	20 pcs.	6	90 psi	880 lbs
24"	32.00	29.50	4.50	56.20	24.80	1 - 1/4" - 8	1.22	20 pcs.	6	90 psi	1100 lbs

* WO model size 2" available as per TAPPI and MSS-SP81 face-to-face standard (1.88")

F = Bolt Diameter & Thread Pitch per MSS-SP135 (Also available per MSS-SP81)

⊕ Number of Blind Tapped Holes in Chest