

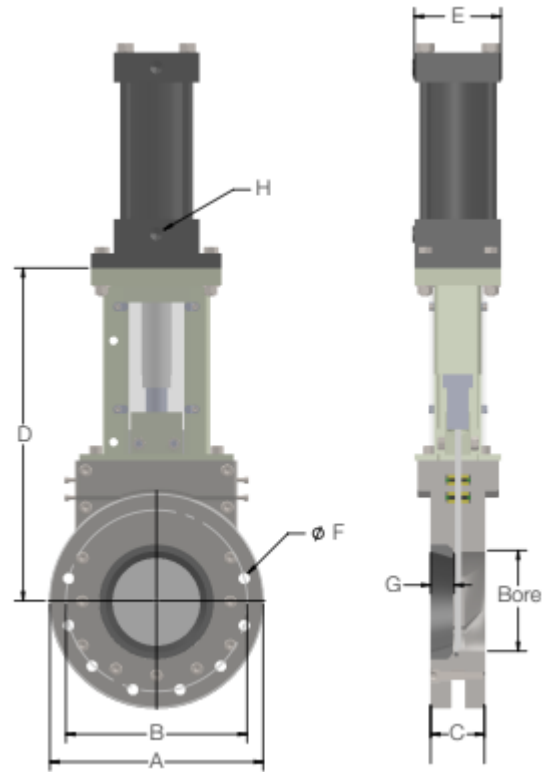
WEY KNIFE GATE VALVE W0 HYDRAULIC CYLINDER OPERATED



Data sheet

Size 2"-36" Standard Configuration

- Design: Full Flange Body
- Materials: Solid Cast Body
Hardened 17.4 pH Gate
- Solid Steel Heavy Duty Bonnet Topworks
- Flange Drilling: ANSI 150
- Face-to-Face: TAPPI, MSS-SP81 & MSS-SP135
- Pressure Rating: Size 2"-24" 150 psi Shut-off
Size 30"-36" 90 psi Shut-off
Higher Pressure Ratings Available
- Suitable for Dead-end Service
- Optional Cylinder Sizes Available



Bore	A	B	C	D	E	F	G	H	Bolts	⊕	Op. Pressure	Weight
2"	6.00	4.75	2.00	20.25	4"	5/8" - 11	-	-	4 pieces	-	150 psi	-
3"	7.50	6.00	2.00	25.25	4"	5/8" - 11	-	-	4 pieces	-	150 psi	-
4"	9.00	7.50	2.00	27.00	4"	5/8" - 11	0.86	-	8 pieces	2	150 psi	-
6"	11.00	9.50	2.25	28.89	6"	3/4" - 10	0.94	-	8 pieces	2	150 psi	-
8"	13.50	11.75	2.75	33.57	8"	3/4" - 10	1.12	-	8 pieces	2	150 psi	-
10"	16.00	14.25	2.75	38.90	10"	7/8" - 9	0.75	-	12 pieces	4	150 psi	-
12"	19.00	17.00	3.00	44.21	12"	7/8" - 9	0.83	-	12 pieces	4	150 psi	-
14"	21.00	18.50	3.00	54.25	12"	1 - 8"	0.78	-	12 pieces	4	150 psi	-
16"	23.50	21.25	3.50	61.50	14"	1 - 8"	0.94	-	12 pieces	4	150 psi	-
18"	25.00	22.75	3.50	67.50	14"	1 - 1/8" - 8	0.98	-	16 pieces	6	150 psi	-
20"	27.50	25.00	4.50	74.25	16"	1 - 1/8" - 8	1.37	-	20 pieces	6	150 psi	-
24"	32.00	29.50	4.50	86.25	18"	1 - 1/4" - 8	1.22	-	20 pieces	6	150 psi	-
30"	38.75	36.00	7.38	97.50	20"	1 - 1/4" - 8	0.98	-	28 pieces	10	90 psi	-
36"	46.00	42.75	8.88	111.50	24"	1 - 1/2" - 8	1.77	-	32 pieces	10	90 psi	-

* W0 model size 2" available as per TAPPI and MSS-SP81 face-to-face standard (1.88")

E = Consult the Factory for Custom Cylinder. Sizing to fit your Specific Application.

F = Bolt Diameter & Thread Pitch per MSS-SP135 (Also available per MSS-SP81)

H = Cylinder Ports SAE

⊕ = Number of Blind Tapped Holes in Chest

All information for reference only.
Modifications reserved.