

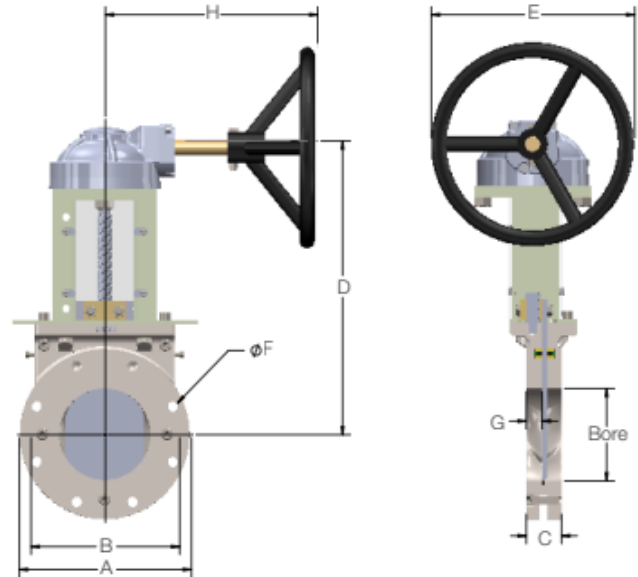
# WEY KNIFE GATE VALVE W1 BEVEL GEAR OPERATED

Data sheet



## Size 6"-36" Standard Configuration

- Design: Full Flange Body
- Materials: Solid Cast Body  
Hardened 17.4 pH Gate
- Solid Steel Heavy Duty Bonnet Topworks
- Flange Drilling: ANSI 150
- Face-to-Face: MSS-SP135
- Pressure Rating: Size 6"-24" 150 psi Shut-off  
Size 30"-36" 90 psi Shut-off  
Higher Pressure Ratings available
- Suitable for Dead-end Service
- Note:  
Bevel Gears (3:1) are recommended for 6"-16" valves  
Bevel Gears (4:1) are recommended for 18"-20" valves  
Bevel Gears (6:1) are recommended for 24" and larger valves  
Consult factory for special applications



Bore	A	B	C	D	E	F	G	H	Bolts	⊕	Op. Pressure	Weight
6"	11.00	9.50	2.50	18.15	12"	3/4" - 10	0.94	11.50	8 pcs.	2	150 psi	126 lbs
8"	13.50	11.75	2.88	21.29	12"	3/4" - 10	1.12	11.50	8 pcs.	2	150 psi	181 lbs
10"	16.00	14.25	3.12	24.84	16"	7/8" - 9	0.75	11.50	12 pcs.	4	150 psi	236 lbs
12"	19.00	17.00	3.25	28.93	16"	7/8" - 9	0.83	14.75	12 pcs.	4	150 psi	383 lbs
14"	21.00	18.50	3.62	33.42	18"	1" - 8	0.78	14.75	12 pcs.	4	90 psi	468 lbs
16"	23.50	21.25	3.75	35.74	18"	1" - 8	0.94	14.75	12 pcs.	4	90 psi	583 lbs
18"	25.00	22.75	4.12	40.75	24"	1 - 1/8" - 8	0.98	14.75	16 pcs.	6	90 psi	793 lbs
20"	27.50	25.00	4.50	44.66	24"	1 - 1/8" - 8	1.37	16.75	20 pcs.	6	90 psi	963 lbs
24"	32.00	29.50	5.00	53.75	24"	1 - 1/4" - 8	1.22	23.50	20 pcs.	6	90 psi	1310 lbs
30"	38.75	36.00	8.25	63.77	24"	1 - 1/4" - 8	1.22	23.50	28 pcs.	10	90 psi	3060 lbs
36"	46.00	42.75	9.84	84.50	30"	1 - 1/2" - 8	1.22	23.50	32 pcs.	10	90 psi	5410 lbs

F = Bolt Diameter & Thread Pitch per MSS-SP135

⊕ = Number of Blind Tapped Holes in Chest