

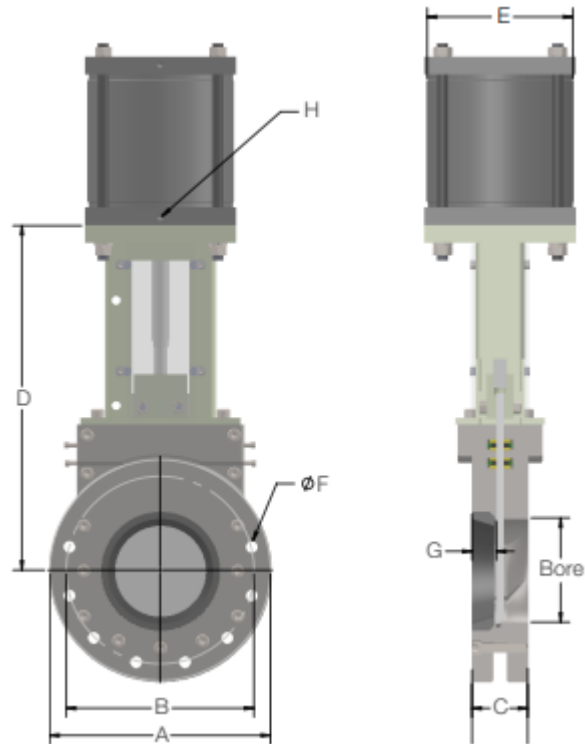
WEY KNIFE GATE VALVE W1 AIR CYLINDER OPERATED



Data sheet

Size 2"-36" Standard Configuration

- Design: Full Flange Body
- Materials: Solid Cast Body
Hardened 17.4 pH Gate
- Solid Steel Heavy Duty Bonnet Topworks
- Flange Drilling: ANSI 150
- Face-to-Face: MSS-SP135
- Pressure Rating: Size 2"-24" 150 psi Shut-off
Size 30"-36" 90 psi Shut-off
Higher Pressure Ratings Available
- Suitable for Dead-end Service
- Optional Cylinder Sizes Available



Bore	A	B	C	D	E	F	G	Bolts	⊕	Op. Pressure	Weight
2"	6.00	4.75	2.75	20.25	4"	5/8" – 11	-	4 pcs.	-	150 psi	-
3"	7.50	6.00	4.00	25.25	4	5/8" – 11	-	4 pcs.	-	150 psi	-
4"	9.00	7.50	4.12	27.00	4	5/8" – 11	0.86	8 pcs.	2	150 psi	-
6"	11.00	9.50	2.50	28.89	6	3/4" – 10	0.94	8 pcs.	2	150 psi	-
8"	13.50	11.75	2.88	33.57	8	3/4" – 10	1.12	8 pcs.	2	150 psi	-
10"	16.00	14.25	3.12	38.90	10	7/8" – 9	0.75	12 pcs.	4	150 psi	-
12"	19.00	17.00	3.25	44.21	12	7/8" – 9	0.83	12 pcs.	4	150 psi	-
14"	21.00	18.50	3.62	54.25	12	1" – 8	0.78	12 pcs.	4	150 psi	-
16"	23.50	21.25	3.75	61.50	14	1" – 8	0.94	12 pcs.	4	150 psi	-
18"	25.00	22.75	4.12	67.50	14	1 – 1/8" – 8	0.98	16 pcs.	6	150 psi	-
20"	27.50	25.00	4.50	74.25	16	1 – 1/8" – 8	1.37	20 pcs.	6	150 psi	-
24"	32.00	29.50	5.00	84.25	18	1 – 1/4" – 8	1.22	20 pcs.	6	150 psi	-
30"	38.75	36.00	8.25	97.50	20	1 – 1/4" – 8	0.98	28 pcs.	10	90 psi	-
36"	46.00	42.75	9.84	111.50	24	1 – 1/2" – 8	1.77	32 pcs.	10	90 psi	-

E = Consult the Factory for Custom Cylinder. Sizing to fit your Specific Application.

F = Bolt Diameter & Thread Pitch per MSS-SP135

H = Cylinder Ports NPT

⊕ Number of Blind Tapped Holes in Chest