

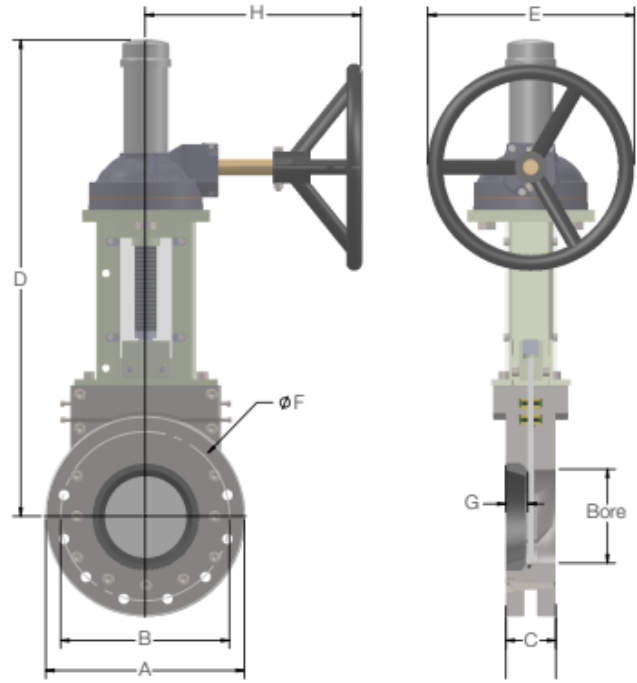
WEY KNIFE GATE VALVE W2 BEVEL GEAR OPERATED



Data sheet

Size 2"-36" Standard Configuration

- Design: Full Flange Body
- Materials: Solid Cast Body
Hardened 17.4 pH Gate
- Solid Steel Heavy Duty Bonnet Topworks
- Heavy Duty Rising Stem
- Flange Drilling: ANSI 300
Flange bolt threads per ASME B16.5 and
ASME B16.47
- Face-to-Face: MSS-SP135
- Pressure Rating: Size 2"-36" 640 psi Shut-off
Higher Pressure Ratings Available
- Lager Sizes Available on Request
- Suitable for Dead-end Service
- Note:
Bevel Gears (3:1) are recommended for 3"-6" valves
Bevel Gears (4:1) are recommended for 8"-18" valves
Bevel Gears (6:1) are recommended for 20" and larger
valves
Consult factory for special applications



Bore	A	B	C	D	E	F	G	H	Bolts	⊕	Op. Pressure	Weight
2"	6.50	5.00	2.75	15.75	12"	5/8" - 11	0.63	11.50	8 pcs.	2	640 psi	-
3"	8.25	6.62	2.75	20.43	12"	3/4" - 10	0.75	11.50	8 pcs.	2	640 psi	-
4"	10.00	7.88	2.75	25.67	12"	3/4" - 10	0.75	11.50	8 pcs.	2	640 psi	-
6"	12.50	10.63	3.15	30.90	12"	3/4" - 10	0.86	11.50	12 pcs.	4	640 psi	-
8"	15.00	13.00	3.50	35.65	12"	7/8" - 10	1.12	11.50	12 pcs.	4	640 psi	-
10"	17.50	15.25	4.68	40.10	16"	1" - 8	1.02	11.50	16 pcs.	6	640 psi	-
12"	20.50	17.75	5.00	49.25	18"	1 - 1/8" - 8	1.18	14.75	16 pcs.	6	640 psi	-
14"	23.00	20.25	5.50	55.80	18"	1 - 1/8" - 8	1.34	14.75	20 pcs.	6	640 psi	-
16"	25.50	22.50	5.50	62.00	18"	1 - 1/4" - 8	1.34	14.75	20 pcs.	6	640 psi	-
18"	28.00	24.75	6.25	67.50	24"	1 - 1/4" - 8	1.34	16.75	24 pcs.	8	640 psi	-
20"	30.50	27.00	7.44	75.50	24"	1 - 1/4" - 8	1.26	16.75	24 pcs.	8	640 psi	-
24"	36.00	32.00	8.50	85.60	24"	1 - 1/2" - 8	1.22	23.50	24 pcs.	8	640 psi	-
26"	38.25	34.50	8.50	90.35	24"	1 - 5/8" - 8	1.57	23.50	28 pcs.	10	640 psi	-
28"	40.75	37.00	10.00	95.50	24"	1 - 5/8" - 8	1.97	23.50	28 pcs.	10	640 psi	-
30"	43.00	39.25	10.50	104.25	30"	1 - 3/4" - 8	1.97	25.00	28 pcs.	10	640 psi	-
36"	50.00	46.00	12.00	114.50	30"	2" - 8	2.16	25.00	32 pcs.	12	640 psi	-

F = Bolt Diameter & Thread Pitch
⊕ = Number of Blind Tapped Holes in Chest