

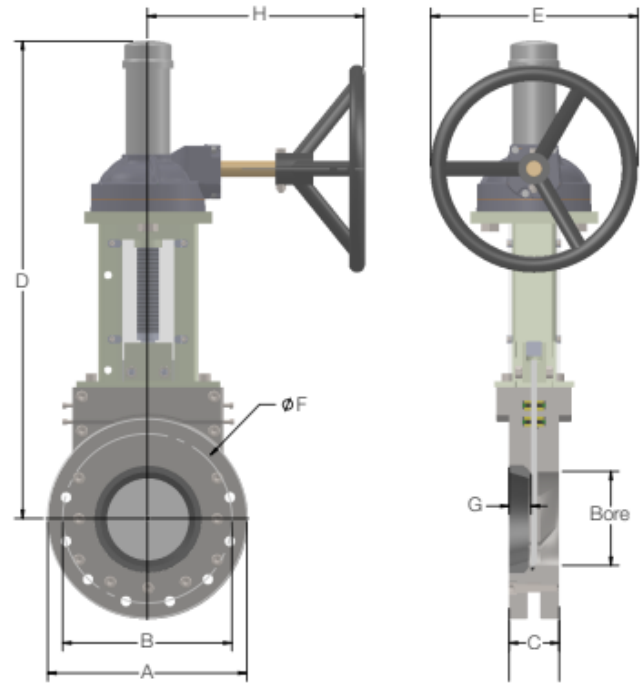
WEY KNIFE GATE VALVE W3 BEVEL GEAR OPERATED

Data sheet



Size 2"-36" Standard Configuration

- Design: Full Flange Body
- Materials: Solid Cast Body
Hardened 17.4 pH Gate
- Solid Steel Heavy Duty Bonnet Topworks
- Heavy Duty Rising Stem
- Flange Drilling: ANSI 300
Flange bolt threads per ASME B16.5 and ASME B16.47
- Face-to-Face: MSS-SP135
- Pressure Rating: Size 2"-36" 640 psi Shut-off
Higher Pressure Ratings Available
- Larger Sizes Available on Request
- Suitable for Dead-end Service
- Note:
Bevel Gears (3:1) are recommended for 3"-6" valves
Bevel Gears (4:1) are recommended for 8"-18" valves
Bevel Gears (6:1) are recommended for 20" and larger valves
Consult factory for special applications



Bore	A	B	C	D	E	F	G	H	Bolts	⊕	Op. Pressure	Weight
2"	6.50	5.00	2.75	15.75	12"	5/8" - 11	0.63	11.50	8 pcs.	2	640 psi	86 lbs
3"	8.25	6.62	4.00	20.43	12"	3/4" - 10	0.75	11.50	8 pcs.	2	640 psi	86 lbs
4"	10.00	7.88	4.12	25.67	12"	3/4" - 10	0.75	11.50	8 pcs.	2	640 psi	104 lbs
6"	12.50	10.63	4.12	30.90	12"	3/4" - 10	0.86	11.50	12 pcs.	4	640 psi	152 lbs
8"	15.00	13.00	4.63	35.65	12"	7/8" - 9	1.12	11.50	12 pcs.	4	640 psi	246 lbs
10"	17.50	15.25	5.38	40.10	16"	1" - 8	1.02	11.50	16 pcs.	6	640 psi	351 lbs
12"	20.50	17.75	5.63	49.25	18"	1 - 1/8" - 8	1.18	14.75	16 pcs.	6	640 psi	483 lbs
14"	23.00	20.25	6.25	55.80	18"	1 - 1/8" - 8	1.34	14.75	20 pcs.	6	640 psi	633 lbs
16"	25.50	22.50	6.63	62.00	18"	1 - 1/4" - 8	1.34	14.75	20 pcs.	6	640 psi	743 lbs
18"	28.00	24.75	7.00	67.50	24"	1 - 1/4" - 8	1.34	16.75	24 pcs.	8	640 psi	983 lbs
20"	30.50	27.00	7.44	75.50	24"	1 - 1/4" - 8	1.26	16.75	24 pcs.	8	640 psi	1285 lbs
24"	36.00	32.00	8.50	85.60	24"	1 - 1/2" - 8	1.22	23.50	24 pcs.	8	640 psi	1710 lbs
26"	38.25	34.50	8.50	90.35	24"	1 - 5/8" - 8	1.57	23.50	28 pcs.	10	640 psi	2050 lbs
28"	40.75	37.00	10.00	95.50	24"	1 - 5/8" - 8	1.97	23.50	28 pcs.	10	640 psi	2410 lbs
30"	43.00	39.25	10.50	104.25	30"	1 - 3/4" - 8	1.97	25.00	28 pcs.	10	640 psi	5490 lbs
36"	50.00	46.00	12.00	114.50	30"	2" - 8	2.16	25.00	32 pcs.	12	640 psi	8025 lbs

F = Bolt Diameter & Thread Pitch
⊕ = Number of Blind Tapped Holes in Chest